

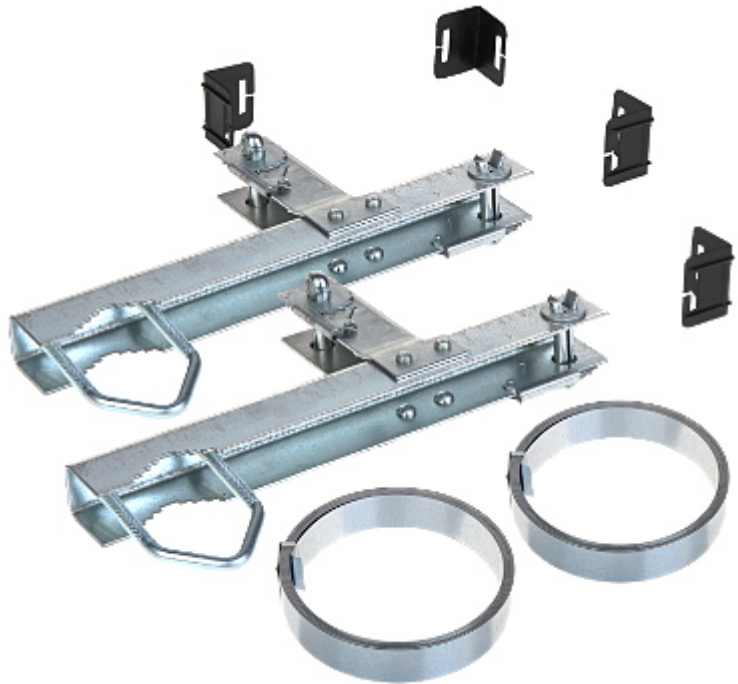
Code: OK-43T13

CHIMNEY CLAMP OK-43T13

Net: 79.20 PLN Gross: 79.20 PLN

Allows to mount large antenna constructions or SAT dishes to a chimney.

Mounting strip: Place the 30 cm of strip into cotter pin and wrap. Such mounted strip to the one end of the clamp, tight on the other end using a lock mechanism.

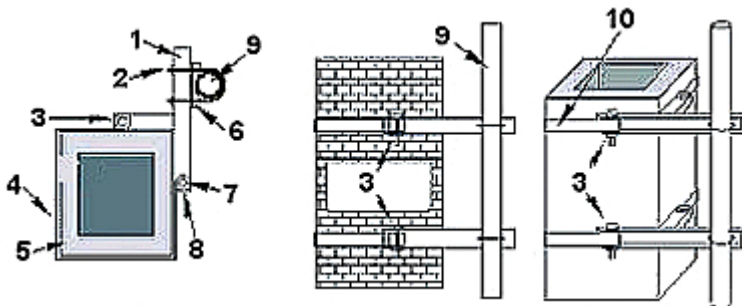


SPECIFICATION

Material:	Steel
Mast diameter:	max. 43 mm
Strip length:	2 x 5 m
Strip thickness:	0.5 mm
Strip width:	26 mm
Main features:	<ul style="list-style-type: none">Distance from mast to the chimney : 0.15 mGalvanized
Manufacturer / Brand:	DELTA
Guarantee:	3 years

PRESENTATION

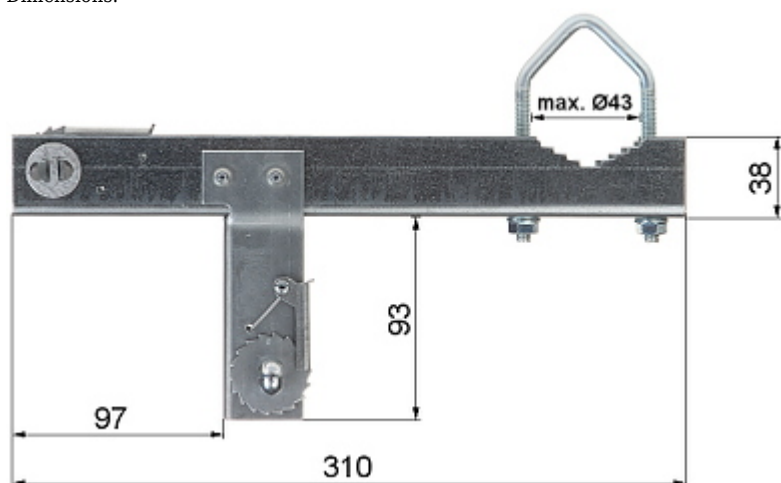
Connection diagram:



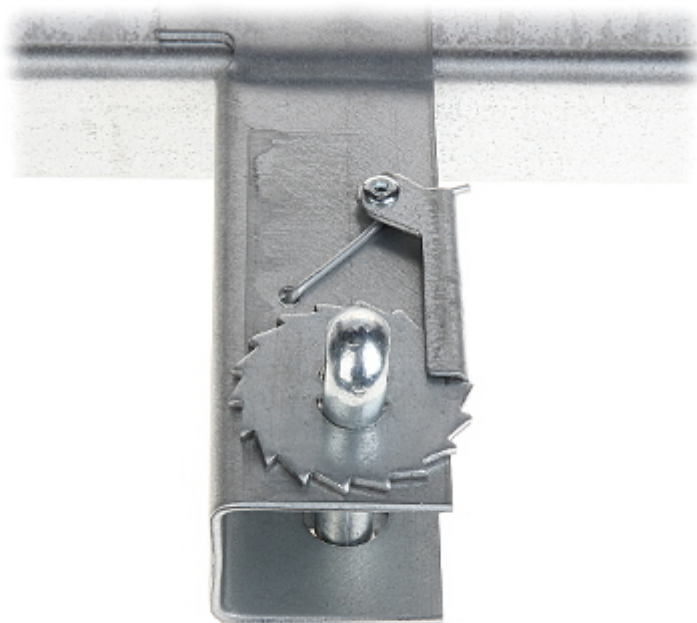
- 1) Chimney clamp
- 2) U-Bolt
- 3) Tightener

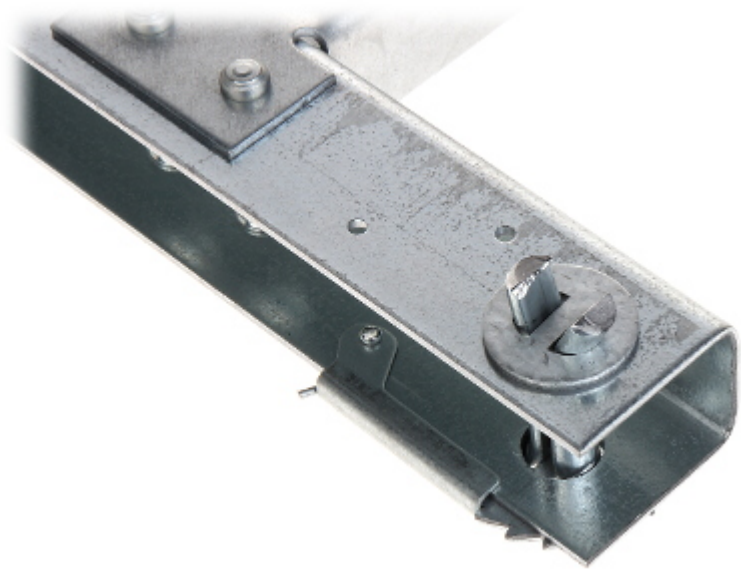
DELTA-OPTI Monika Matysiak; <https://www.delta.poznan.pl>
POL; 60-713 Poznań; Graniczna 10
e-mail: delta-opti@delta.poznan.pl; tel: +(48) 61 864 69 60

- 4) Steel strip
 - 5) Chimney
 - 6) Clamp
 - 7) Screw
 - 8) Steel strip inserted through the slit and wrapped
 - 9) Antenna mast
 - 10) Steel strip
- Dimensions:

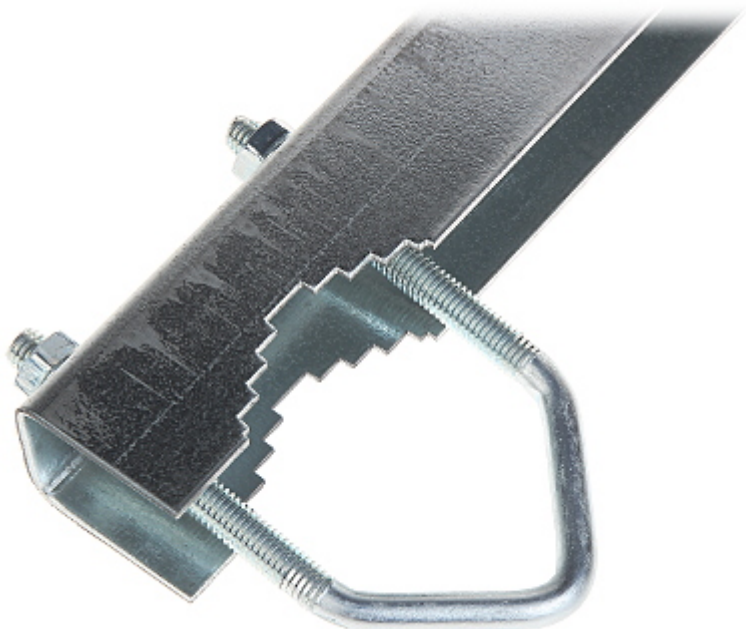


Tighten lock:





Mast mounting:



In the kit:





OUR TESTS

The steel strip tightening, which mounts the clamp can be made one hand using a standard screw driver:



OUR OPINIONS



- Easy to mount, thanks to use a tighten lock mechanism of the steel strip.

PACKAGE

Dimensions (L x W x H): 0x0x0 mm	Gross Weight: 0 kg
----------------------------------	--------------------