

Code: BCS-AT135-G

## CAMERA BRACKET **BCS-AT135-G**

Net: **19.42 GBP** Gross: **19.42 GBP**

Ceiling bracket for cameras. Designed to dome cameras.

It can be used to vandal-proof cameras installation. It has very useful advantage, possibility to hide camera cables and connectors.



### SPECIFICATION

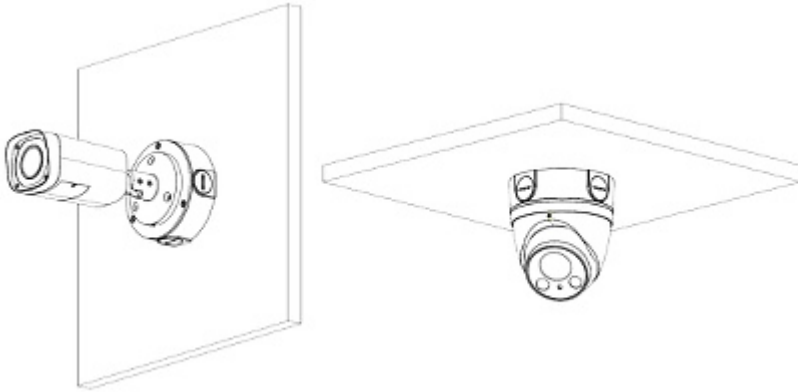
Neck diameter:	Ø 124 mm
Suitable for cameras:	BCS Line
Material:	Aluminum
Color:	Graphite
Distance from mounting surface:	42 mm
Weight:	0.36 kg
Dimensions:	Ø 124 x 42 mm
Manufacturer / Brand:	BCS
Guarantee:	<b>3 years</b>

### PRESENTATION

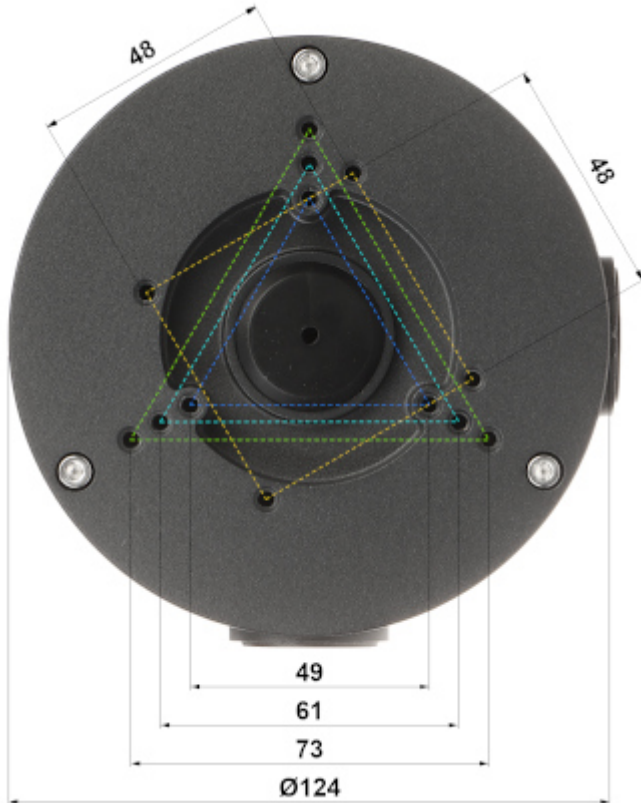
Example of application:



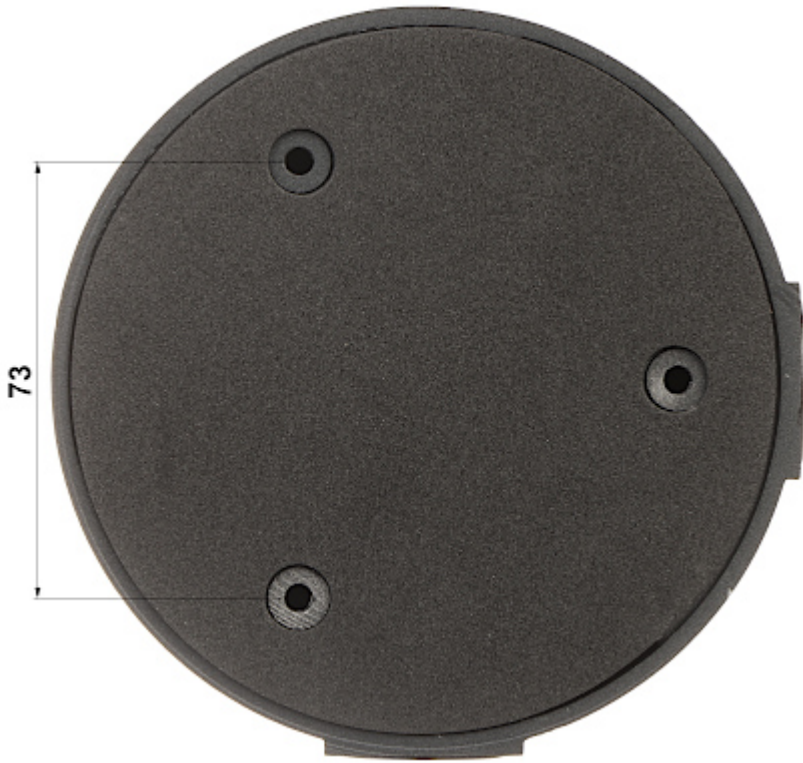
DELTA-OPTI Monika Matysiak; <https://www.delta.poznan.pl>  
POL; 60-713 Poznań; Graniczna 10  
e-mail: [delta-opti@delta.poznan.pl](mailto:delta-opti@delta.poznan.pl); tel: +(48) 61 864 69 60



Camera mounting side view:



Wall mounting side view:



Side view:

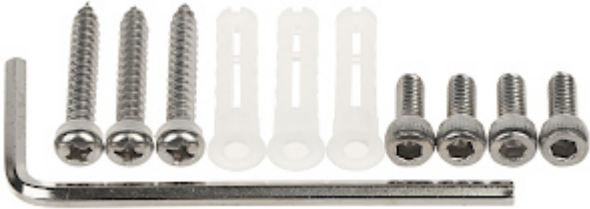


View without the front cover:



In the kit:





**PACKAGE**

Dimensions (L x W x H): 0x0x0 mm	Gross Weight: 0 kg
----------------------------------	--------------------

