

Code: DS-2CE12DF3T-F(2.8MM)

# AHD, HD-CVI, HD-TVI, PAL CAMERA **DS-2CE12DF3T-F(2.8MM)** ColorVu - 1080p Hikvision

Net: **254.42 PLN** Gross: **254.42 PLN**

Megapixel camera with Progressive scan CMOS sensor and AHD / HD-CVI / HD-TVI / PAL.

The AHD / HD-CVI / HD-TVI interface allows to transmission of analog video signal via coaxial cable in max. 8 Mpx (4K) resolution. During transmission there are no delays and is maintained the original, high quality image. The change of the AHD / HD-CVI / HD-TVI / PAL standard is done with the corresponding button by keeping it pressed for approx. 5 seconds.

In the case of video transmission using a twisted pair cable and matching transformers (balun), be aware of the possibility of signal reflections and interfering signals.

The 3-Axis integrated camera bracket has a regulation in all three planes, which allows to turn the camera to any direction. Camera is according to IP67 Index of Protection norm.

**Attention!** The camera of the ColorVu series does not have a black and white mode. Thanks to fit the camera in a very sensitive sensor and the LED illuminator emitting visible light in white, the device allows to obtain a clear, colorful image in all lighting conditions.



## SPECIFICATION

Standard:	AHD / HD-CVI / HD-TVI / PAL
Sensor:	Progressive Scan CMOS
Matrix size:	2.1 Mpx
Resolution:	1920 x 1080 - 1080p @ AHD / HD-CVI / HD-TVI 960 x 576 - 960H, PAL
Lens:	2.8 mm
View angle:	<ul style="list-style-type: none"><li>• 98 ° (manufacturer data)</li><li>• 93 ° (our tests result)</li></ul>
White light LED illuminator range:	40 m
Video output:	1 Vpp / 75 Ω - AHD / HD-CVI / HD-TVI / PAL, BNC socket
OSD menu:	✓
Main features:	<ul style="list-style-type: none"><li>• Possibility to turn off the LED illuminator</li><li>• WDR - 130 dB - Wide Dynamic Range</li><li>• 2D-DNR, 3D-DNR - Digital Noise Reduction</li><li>• BLC - Back Light Compensation</li><li>• HLC - High Light Compensation (spot)</li><li>• Mirror - Mirror image</li><li>• AGC - Automatic Gain Control</li><li>• Configurable: brightness, contrast, saturation</li><li>• Auto White Balance</li><li>• Motion Detection - max. 4 zones</li><li>• Privacy zones - max. 4</li><li>• Sharpness - sharper image outlines</li></ul>
Power supply:	12 V DC / 350 mA

Power consumption:	≤ 4.2 W
Housing:	Compact, Metal
Color:	White
"Index of Protection":	IP67
Operation temp:	-40 °C ... 60 °C
Weight:	0.52 kg
Dimensions:	194 x 78 x 75 mm
Supported languages:	English
Manufacturer / Brand:	Hikvision
SAP Code:	300512761
Guarantee:	<b>3 years</b>

## PRESENTATION



Side view:



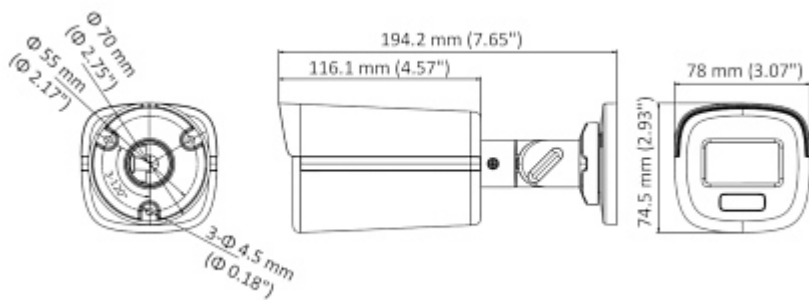
Mounting side view:



The change of the AHD / HD-CVI / HD-TVI / PAL standard is done with the corresponding button by keeping it pressed for approx. 5 seconds:



Camera dimensions:



In the kit:



## OUR TESTS

AHD:

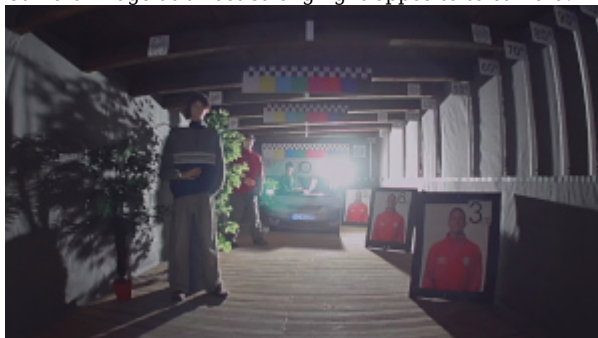
Camera image at artificial illumination (about 30Lux):



Camera image at night conditions with internal built-in LED illuminator on:



Camera image at direct strong light opposite to camera:



HD-CVI:

Camera image at artificial illumination (about 30Lux):



Camera image at night conditions with internal built-in LED illuminator on:



Camera image at direct strong light opposite to camera:



HD-TVI:

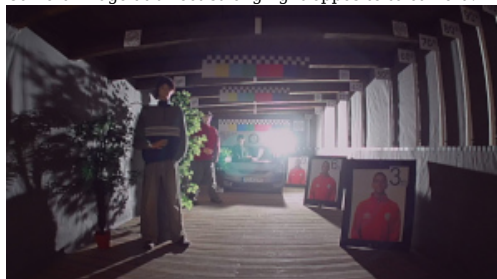
Camera image at artificial illumination (about 30Lux):



Camera image at night conditions with internal built-in LED illuminator on:



Camera image at direct strong light opposite to camera:



**PACKAGE**

Dimensions (L x W x H): 0x0x0 mm	Gross Weight: 0 kg
----------------------------------	--------------------

