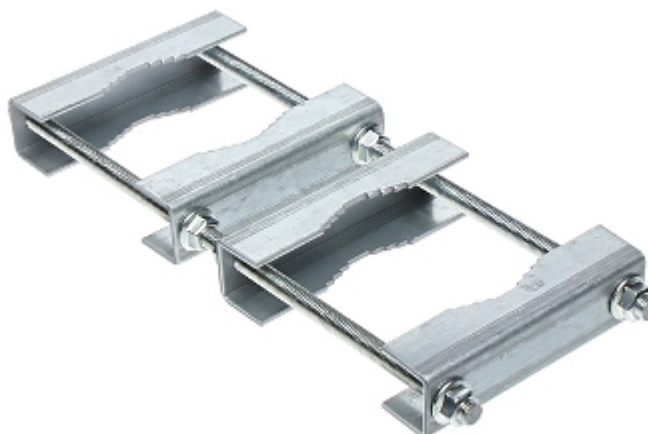


Code: OZP-90

DISTANCE CLAMP **OZP-90**

Net: 8.11 EUR Gross: 8.11 EUR

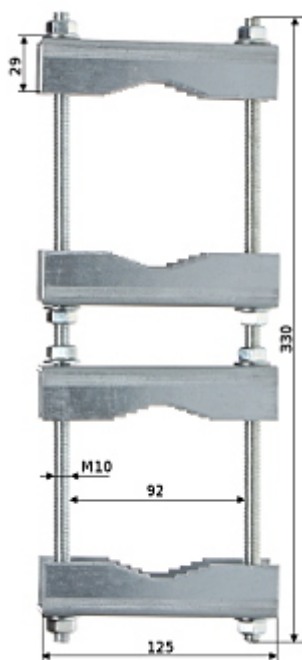


Clamp to mount two masts parallel to each other.

SPECIFICATION

Material:	Metal
Mast diameter:	max. 90 mm
Main features:	The whole galvanized
Guarantee:	2 years

PRESENTATION



PACKAGE

Dimensions (L x W x H): 0x0x0 mm	Gross Weight: 0 kg
----------------------------------	--------------------

DELTA-OPTI Monika Matysiak; <https://www.delta.poznan.pl>
POL; 60-713 Poznań; Graniczna 10
e-mail: delta-opti@delta.poznan.pl; tel: +(48) 61 864 69 60



DELTA-OPTI Monika Matysiak; <https://www.delta.poznan.pl>
POL; 60-713 Poznań; Graniczna 10
e-mail: delta-opti@delta.poznan.pl; tel: +(48) 61 864 69 60