

Code: IPC3615SE-ADF28KM-WL-I0

IP CAMERA **IPC3615SE-ADF28KM-WL-I0** ColorHunter - 5 Mpx 2.8 mm UNIVIEW

Net: **1 405.14 PLN** Gross: **1 405.14 PLN**

IP camera with efficient Ultra 265 image compression algorithm for clear and smooth video streaming at maximal resolution of 5 Mpx.

PoE powering possibility, compatible with the 802.3af standard makes the device more universal and easier to install. The range of IR illumination according to the manufacturer data, depends on outer conditions (visibility - air transparency, environment, wall colors ie. scene reflectance).

Attention! The camera of the ColorHunter series does not have a black and white mode. Thanks to fit the camera in a very sensitive sensor and the LED illuminator emitting visible light in white, the device allows to obtain a clear, colorful image in all lighting conditions.



SPECIFICATION

| | |
|------------------------------------|--|
| Standard: | TCP/IP |
| Sensor: | 1/2.7 " Progressive Scan CMOS |
| Matrix size: | 5 Mpx |
| Resolution: | 2880 x 1620 - 5 Mpx , 2560 x 1440 - 3.7 Mpx , 2304 x 1296 - 3 Mpx , 1920 x 1080 - 1080p |
| Lens: | 2.8 mm @ F1.0 |
| View angle: | • 102 ° (manufacturer data) • 101 ° (our tests result) |
| White light LED illuminator range: | 30 m |
| S/N ratio: | > 56 dB |
| RS-485 interface: | — |
| Memory card slot: | Micro SD memory cards up to 256GB support (possible local recording) |
| Image compression method: | Ultra 265 / H.265 / H.264 / MJPEG |
| Alarm inputs / outputs: | — |
| Audio: | • Microphone built-in • Audio transmission via network • Audio detection |

DELTA-OPTI Monika Matysiak; <https://www.delta.poznan.pl>
POL; 60-713 Poznań; Graniczna 10
e-mail: delta-opti@delta.poznan.pl; tel: +(48) 61 864 69 60

| | |
|--------------------------------|--|
| Main stream frame rate: | 25 fps @ 5 Mpx |
| Network interface: | 10/100 Base-TX (RJ-45) |
| Network protocols: | IPv4/IPv6, IGMP, ICMP, ARP, TCP, UDP, DHCP, PPPoE, RTP, RTSP, RTCP, DNS, DDNS, NTP, FTP, UPnP, HTTP, HTTPS, SMTP, IEEE 802.1x, SNMP, QoS, RTMP, SSL / TLS, SSH |
| WEB Server: | Built-in |
| Max. number of on-line users: | 32 |
| ONVIF: | ✓ |
| Mobile phones support: | Access by a cloud (P2P) <ul style="list-style-type: none"> • Android: Free application EZView • iOS (iPhone): Free application EZView |
| Default IP address: | DHCP or 192.168.1.13 |
| Default admin user / password: | admin / 123456 |
| Web browser access ports: | 80, 554 |
| PC client access ports: | Port no.: 80 or access by a cloud (P2P) - PC: Free application EZStation |
| Mobile client access ports: | 80 |
| Port ONVIF: | 80 |
| RTSP URL: | rtsp://192.168.1.13:554/unicast/c1/s0/live - Main stream rtsp://192.168.1.13:554/unicast/c1/s1/live - Sub stream |
| Main features: | <ul style="list-style-type: none"> • ColorHunter - colorful night mode • WDR - 120 dB - Wide Dynamic Range • 2D-DNR, 3D-DNR - Digital Noise Reduction • F-DNR (Defog) - Reduction of image noise caused by precipitation • BLC/HLC - Back Light / High Light Compensation • WB - White Balance (ATW/AWB/manual/indoor/outdoor) • ROI - improve the quality of selected parts of image • ANR - Automatic Network Replenishment allows to save image to the card when the network connection with DVR is break (network failure) and next synchronize its • NAS - Network Attached Storage support • Possibility to change the resolution, quality and bit rate • Sharpness - sharper image outlines • Corridor mode - useful for monitoring corridors, entrance gates and narrow rooms • Privacy zones - max. 4 • Motion detection with human/vehicle silhouette recognition • Intelligent image analysis : crossing the line (tripwire), intrusion, entering the marked area, leaving the marked area, face detection, people counting, crowd gathering estimation • Overvoltage protection : 4 kV |
| Power supply: | <ul style="list-style-type: none"> • PoE (802.3af), • 12 V DC / 625 mA |
| Power consumption: | ≤ 7.5 W |
| Housing: | Dome, Metal |
| Color: | White |
| "Index of Protection": | IP67 |
| Vandal-proof: | — |
| Operation temp: | -30 °C ... 60 °C |
| Weight: | 0.46 kg |
| Dimensions: | Ø 110 x 94 mm |
| Supported languages: | Polish, English, Czech, Spanish, Dutch, French, German, Portuguese, Slovak, Hungarian, Italian |
| Manufacturer / Brand: | UNIVIEW |
| Guarantee: | 3 years |



PRESENTATION

Camera is out from clamping ring:



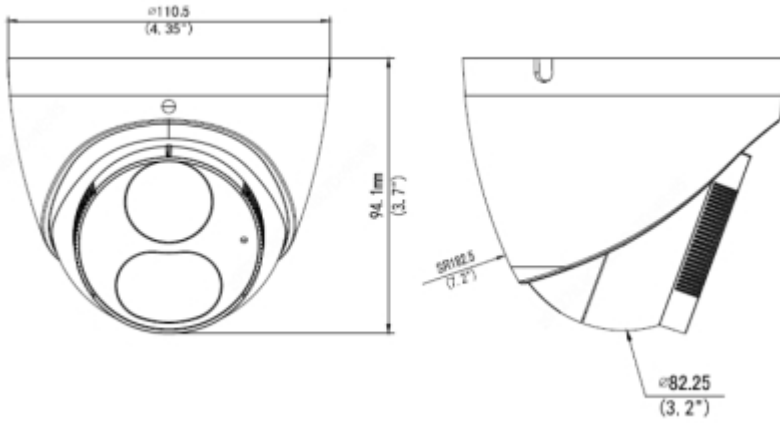
Memory card slot:



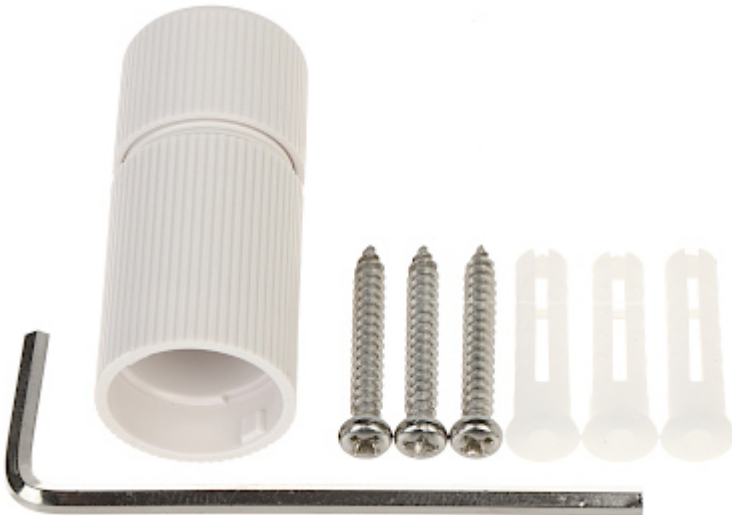
Mounting side view:



Camera dimensions:



In the kit:



OUR TESTS

Camera image at artificial illumination (about 30Lux):



Camera image at night conditions with internal built-in LED illuminator on:



Camera image at direct strong light opposite to camera:



PACKAGE

| | |
|----------------------------------|--------------------|
| Dimensions (L x W x H): 0x0x0 mm | Gross Weight: 0 kg |
|----------------------------------|--------------------|



DELTA-OPTI Monika Matysiak; <https://www.delta.poznan.pl>
POL; 60-713 Poznań; Graniczna 10
e-mail: delta-opti@delta.poznan.pl; tel: +(48) 61 864 69 60