

Code: ARD821-W2(868)

## WIRELESS PANIC BUTTON **ARD821-W2(868)** DAHUA

Net: 158.00 PLN Gross: 158.00 PLN

This button is a device designed to instantly trigger the alarm and (or) initiate the procedure of reporting an emergency situation in protected facility to the monitoring station.



### SPECIFICATION

|   |  |
|---|--|
| Support:                                  | Wireless alarm systems DAHUA   |
| Frequency band:                           | 868 MHz  |
| Radio communication range (at open area): | max. 1400 m (open area)  |
| Number of buttons:                        | 1  |
| Main features:                            | <ul style="list-style-type: none"><li>• Bidirectional communication</li><li>• AES128 data encryption</li><li>• LED indication</li><li>• Frequency hopping against jamming for reliable transmission</li><li>• Low battery indicator</li><li>• "Index of Protection" : IP54</li></ul> |
| Power supply:                             | 1 x battery CR2032 3V (included)   |
| Battery lifetime:                         | ~ 5 years  |
| Operation temp:                           | -10 °C ... 55 °C   |
| Permissible relative humidity:            | 10 % ... 90 %  |
| Weight:                                   | 0.02 kg  |
| Dimensions:                               | 55 x 36 x 15 mm  |
| Manufacturer / Brand:                     | DAHUA  |
| Guarantee:                                | 2 years  |

### PRESENTATION

The device is tiny sizes:

DELTA-OPTI Monika Matysiak; <https://www.delta.poznan.pl>  
POL; 60-713 Poznań; Graniczna 10  
e-mail: delta-opti@delta.poznan.pl; tel: +(48) 61 864 69 60



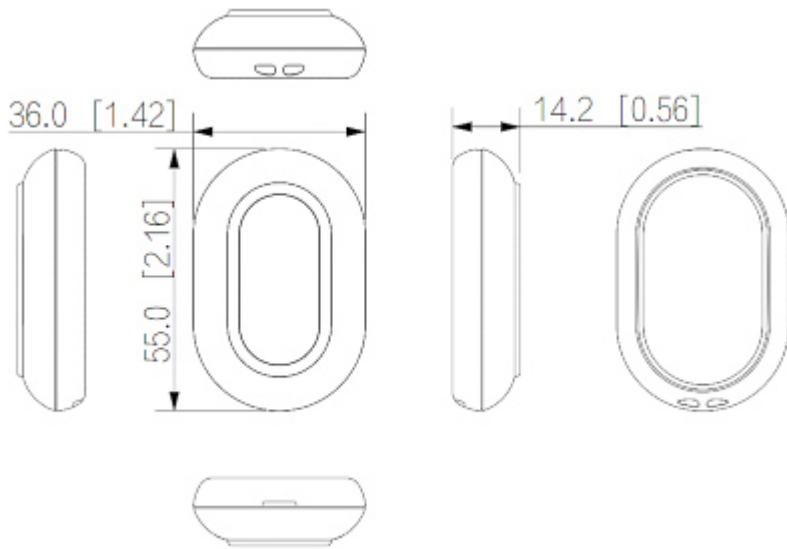
Rear view:



Internal view of the housing:



Dimensions:



In the kit:



## PACKAGE

|                                  |                    |
|----------------------------------|--------------------|
| Dimensions (L x W x H): 0x0x0 mm | Gross Weight: 0 kg |
|----------------------------------|--------------------|

