

Code: DEE1010B-S2

RELAY MODULE **DEE1010B-S2** DAHUA

Net: **63.18 EUR** Gross: **63.18 EUR**

The DEE1010B-S2 module allows the expansion of video doorphone features for control of another door or gate. Communication with the device takes place via the RS-485 interface. Built-in relay output allows to control any NO / NC device. The output is switched by video doorphone or mobile phone (DMSS application).



SPECIFICATION

Support:	<ul style="list-style-type: none">• Cooperation with the DAHUA access control systems,• Designed for DAHUA video doorphones
Number of relay outputs:	1 x
Outputs:	<ul style="list-style-type: none">• 1 x NO / NC,• 1 x Exit button,• 1 x Reed switch ,• 2 x RS-485
Interface:	RS-485, Twisted-pair cable - pair of wires
Main features:	<ul style="list-style-type: none">• Door contact and request button for exit inputs• Relay to control for example: electric strike or electromagnetic lock
Operation state indication:	3 x Operation status LED indicator
Power supply:	12 V DC / 1 A
Power consumption:	≤ 0.9 W (Standby mode) ≤ 1.0 W (operation)
Operation temp:	-10 °C ... 60 °C
Permissible relative humidity:	0 % ... 95 %
Weight:	0.09 kg
Dimensions:	59 x 50 x 21 mm
Manufacturer / Brand:	DAHUA
Guarantee:	2 years

PRESENTATION



DELTA-OPTI Monika Matysiak; <https://www.delta.poznan.pl>
POL; 60-713 Poznań; Graniczna 10
e-mail: delta-opti@delta.poznan.pl; tel: +(48) 61 864 69 60



Connectors:

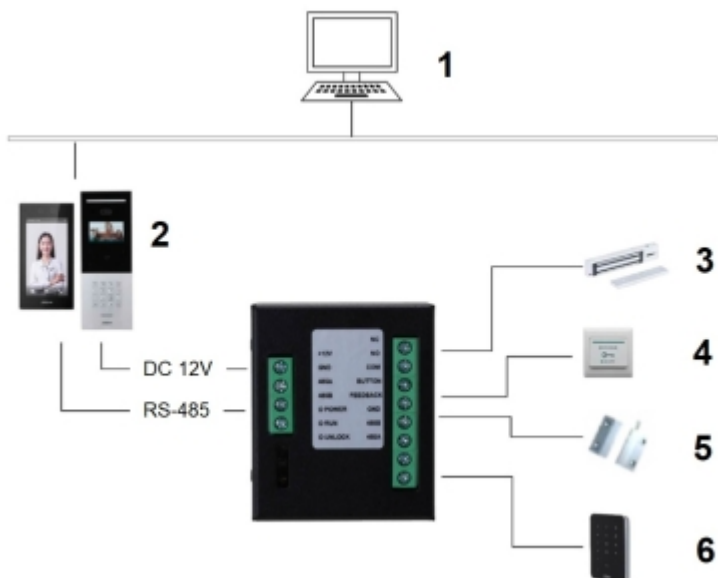




Mounting side view:



Example of application:



- 1 - System management center
- 2 - Video doorphone
- 3 - Electromagnetic Lock
- 4 - Exit button
- 5 - Reed switch
- 6 - RFID Reader

PACKAGE

Dimensions (L x W x H): 0x0x0 mm	Gross Weight: 0 kg
----------------------------------	--------------------

