

Code: BCS-V-TIP58VSR6-AI2

IP CAMERA **BCS-V-TIP58VSR6-AI2** - 8.3 Mpx, 4K UHD 2.8 ... 12 mm - MOTOZOOM BCS View

Net: **2 670.00 PLN** Gross: **2 670.00 PLN**

IP camera with efficient H.264 / H.265 image compression algorithm for clear and smooth video streaming at maximal resolution of 8.3 MPx, 4K UHD. Due to above it is perfect solution for surveillance systems requiring persons or vehicles recognition.

PoE powering possibility, compatible with the 802.3at standard makes the device more universal and easier to install.

Thanks to the "DarkView Starlight" technology used, the camera only needs very low lighting to obtain a clear color image.



SPECIFICATION

Standard:	TCP/IP
Sensor:	1/1.8 " Progressive Scan CMOS
Matrix size:	8.3 Mpx 4K UHD
Resolution:	3840 x 2160 - 8.3 Mpx, 4K UHD , 3200 x 1800 - 5.7 Mpx , 2688 x 1520 - 4 Mpx , 1920 x 1080 - 1080p 1280 x 720 - 720p
Lens:	2.8 ... 12 mm - Motozoom
View angle:	108 ° ... 46 °
Compression:	H.265+ / H.265 / H.264+ / H.264 / MJPEG
Range of IR illumination:	60 m
Alarm inputs / outputs:	1 / 1
Main stream frame rate:	25 fps - 8.3 Mpx
Network interface:	10/100 Base-T (RJ-45)
Network protocols:	TCP/IP, ICMP, HTTP, HTTPS, FTP, DHCP, DNS, DDNS, RTP, RTSP, RTCP, PPPoE, NTP, UPnP, SMTP, SNMP, IGMP, IEEE 802.1x, QoS, IPv4, IPv6, Bonjour, UDP, SSL / TLS
Audio:	<ul style="list-style-type: none">• External microphone input• Audio output• Bi-directional audio streaming support
WEB Server:	Built-in, NVR compliance

DELTA-OPTI Monika Matysiak; <https://www.delta.poznan.pl>
POL; 60-713 Poznań; Graniczna 10
e-mail: delta-opti@delta.poznan.pl; tel: +(48) 61 864 69 60

Memory card slot:	Micro SD memory cards up to 256GB support (possible local recording)
Max. number of on-line users:	6
ONVIF:	✓
Mobile phones support:	Port no.: 8000 or access by a cloud (P2P) <ul style="list-style-type: none"> • Android: Free application BCS View • iOS (iPhone): Free application BCS View
Default IP address:	192.168.1.64
Default admin user / password:	admin / - The administrator password should be set at the first start
Web browser access ports:	80
PC client access ports:	Port no.: 8000 or access by a cloud (P2P)
Mobile client access ports:	8000
Port ONVIF:	80
RTSP URL:	<ul style="list-style-type: none"> • Main stream : rtsp://user:password@192.168.1.64:554/Streaming/Channels/101/ • Sub stream : rtsp://user:password@192.168.1.64:554/Streaming/Channels/102/
RS-485 interface:	—
Main features:	<ul style="list-style-type: none"> • WDR - 120 dB - Wide Dynamic Range • 3D-DNR - Digital Noise Reduction • ROI - improve the quality of selected parts of image • BLC - Back Light Compensation • HLC - High Light Compensation (spot) • Day/night mode • ICR - Movable InfraRed filter • Auto White Balance • AGC - Automatic Gain Control • Mirror - Mirror image • Configurable Privacy Zones • Configurable: brightness, contrast, saturation • Sharpness - sharper image outlines • Intelligent image analysis : intrusion, crossing the line (tripwire), detection of entry into the area / exit from the area, scene changing, advanced face capture features
Power supply:	<ul style="list-style-type: none"> • PoE (802.3at), • 12 V DC / 1.08 A
Power consumption:	<ul style="list-style-type: none"> ≤ 15 W @ PoE (802.3at) ≤ 13 W @ 12 V DC
Housing:	Compact, Metal
Color:	White
"Index of Protection":	IP66
Vandal-proof:	IK10
Operation temp:	-30 °C ... 60 °C
Supported languages:	Polish, English, Bulgarian, Croatian, Czech, Danish, Estonian, Finnish, French, Greek, Spanish, Dutch, Lithuanian, Latvian, German, Norwegian, Portuguese, Russian, Romanian, Serbian, Slovak, Slovenian, Swedish, Turkish, Ukrainian, Hungarian, Vietnamese, Italian
Weight:	1.7 kg
Dimensions:	Ø 144 x 332 mm
Manufacturer / Brand:	BCS View
Guarantee:	3 years

PRESENTATION

Front view:



DELTA-OPTI Monika Matysiak; <https://www.delta.poznan.pl>
POL; 60-713 Poznań; Graniczna 10
e-mail: delta-opti@delta.poznan.pl; tel: +(48) 61 864 69 60



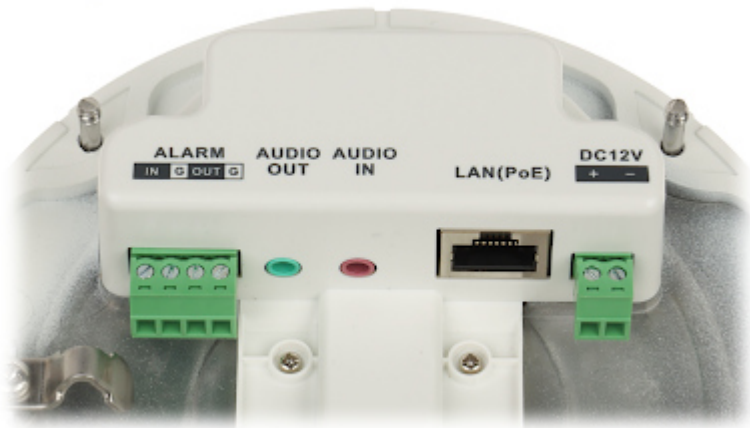
Side view:



Memory card slot:



Camera connectors:

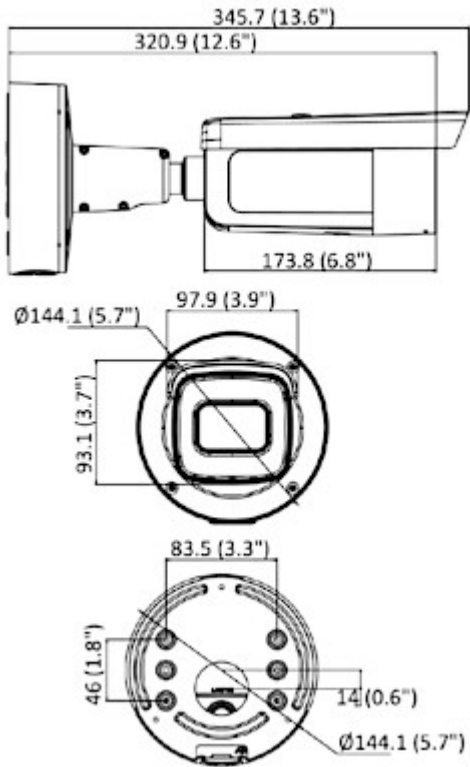


Mounting side view:

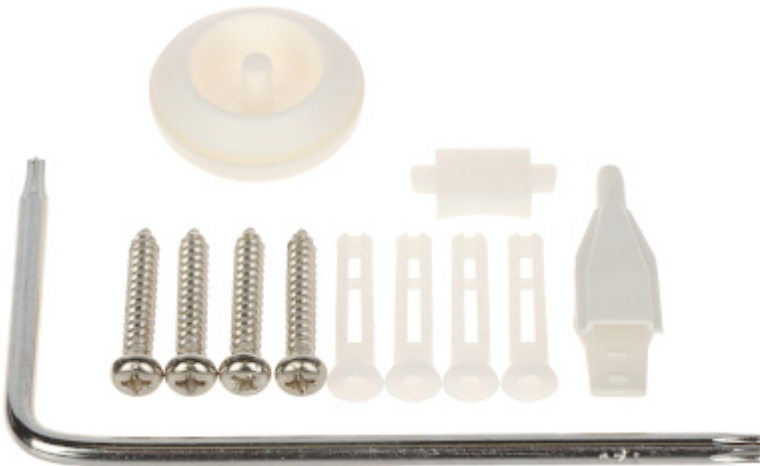


Camera and bracket dimensions:





In the kit:



OUR TESTS

Camera image at artificial illumination (about 30Lux):



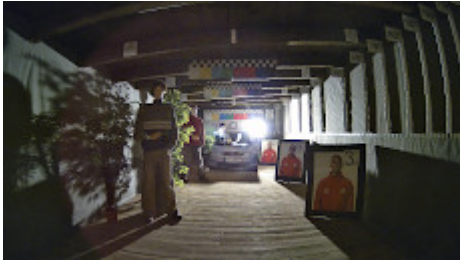
Camera image at night conditions with internal built-in IR illuminator on:



DELTA-OPTI Monika Matysiak; <https://www.delta.poznan.pl>
 POL; 60-713 Poznań; Graniczna 10
 e-mail: delta-opti@delta.poznan.pl; tel: +(48) 61 864 69 60



Camera image at direct strong light opposite to camera:



PACKAGE

Dimensions (L x W x H): 0x0x0 mm	Gross Weight: 0 kg
----------------------------------	--------------------

