

Code: KI-LED/15X10

PROFILE WITH COVER FOR LED STRIPS **KI-LED/15X10** SURFACE

Net: 10.71 PLN Gross: 10.71 PLN



SPECIFICATION

Application:	LED strips
Assembly:	Surface
Material:	Plastic
Color:	<ul style="list-style-type: none">• White profile,• Transparent shade
Weight:	0.15 kg
Dimensions:	2000 x 15 x 10 mm
Guarantee:	2 years

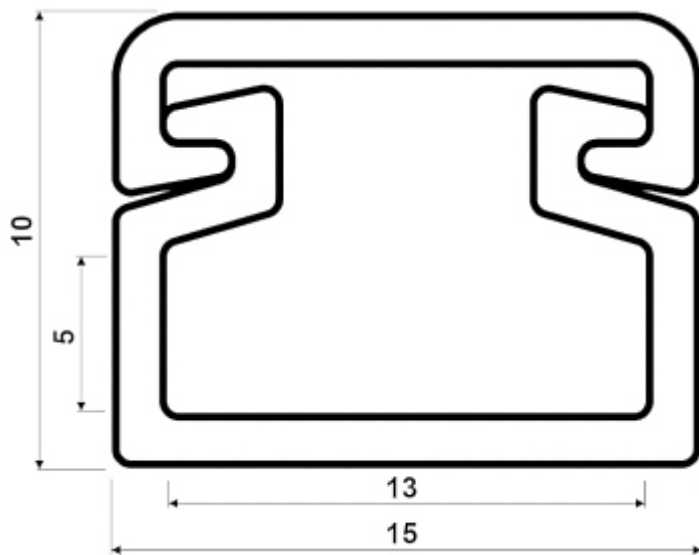
PRESENTATION



DELTA-OPTI Monika Matysiak; <https://www.delta.poznan.pl>
POL; 60-713 Poznań; Graniczna 10
e-mail: delta-opti@delta.poznan.pl; tel: +(48) 61 864 69 60



Dimensions:



PACKAGE

Dimensions (L x W x H): 0x0x0 mm	Gross Weight: 0 kg
----------------------------------	--------------------



DELTA-OPTI Monika Matysiak; <https://www.delta.poznan.pl>
POL; 60-713 Poznań; Graniczna 10
e-mail: delta-opti@delta.poznan.pl; tel: +(48) 61 864 69 60