

Code: IPC-HFW3849T1-AS-PV-0360B-S4-BLACK

IP CAMERA **IPC-HFW3849T1-AS-PV-0360B-S4-BLACK** TiOC Full-Color - 8.3 Mpx 4K UHD 3.6 mm DAHUA Net: **2 058.00 PLN** Gross: **2 058.00 PLN**

The **DAHUA TiOC** series of cameras are modern IP cameras combining 3 innovative technologies: **Dahua Full-Color** - 24/7 color image, **Wiz-Sense** - AI artificial intelligence functions and audio-visual **active deterrence**

In addition, the camera has the function of active deterrence of intruders using flashing red and blue light and siren sound.

PoE powering possibility, compatible with the 802.3af standard makes the device more universal and easier to install.



SPECIFICATION

| | |
|------------------------------------|---|
| Standard: | TCP/IP |
| Sensor: | 1/2.8 " Progressive Scan CMOS |
| Matrix size: | 8.3 Mpx |
| Resolution: | 3840 x 2160 - 8.3 Mpx 4K UHD , 3072 x 2048 - 6 Mpx , 3072 x 1728 - 5 Mpx , 2592 x 1944 - 5 Mpx , 2688 x 1520 - 4 Mpx , 2560 x 1440 - 3.7 Mpx , 2048 x 1536 - 3 Mpx , 2304 x 1296 - 3 Mpx , 1920 x 1080 - 1080p , 1280 x 720 - 720p |
| Lens: | 3.6 mm |
| View angle: | • 85 ° (manufacturer data) • 82 ° (our tests result) |
| Range of IR illumination: | 30 m |
| White light LED illuminator range: | 30 m |
| Image compression method: | AI H.265 / H.265+ / H.265 / AI H.264 / H.264+ / H.264 / H.264H / H.264B / MJPEG |
| Memory card slot: | Micro SD memory cards up to 256GB support (possible local recording) |
| RS-485 interface: | — |
| Alarm inputs / outputs: | 1 / 1 |

DELTA-OPTI Monika Matysiak; <https://www.delta.poznan.pl>
POL; 60-713 Poznań; Graniczna 10
e-mail: delta-opti@delta.poznan.pl; tel: +(48) 61 864 69 60

| | |
|--------------------------------|--|
| Audio: | <ul style="list-style-type: none"> • Microphone built-in - 2 pcs, • Audio input, • Speaker built-in • Audio output • Bi-directional audio streaming support • Audio detection |
| Main stream frame rate: | 25 fps @ 8.3 Mpx |
| Network interface: | 10/100 Base-T (RJ-45) |
| Network protocols: | IPv4/IPv6, HTTP, TCP, UDP, ARP, RTP, RTSP, RTCP, RTMP, SMTP, FTP, SFTP, DHCP, DNS, DDNS, QoS, UPnP, NTP, Multicast, ICMP, IGMP, NFS, SAMBA, PPPoE, SNMP |
| WEB Server: | Built-in |
| Max. number of on-line users: | 20 |
| ONVIF: | 21.12 |
| Mobile phones support: | Port no.: 37777 or access by a cloud (P2P) <ul style="list-style-type: none"> • Android: Free application DMSS • iOS (iPhone): Free application DMSS |
| Default IP address: | 192.168.1.108 |
| Default admin user / password: | admin / - The administrator password should be set at the first start |
| Web browser access ports: | 80, 37777 |
| PC client access ports: | 37777 |
| Mobile client access ports: | 37777 |
| Port ONVIF: | 80 |
| RTSP URL: | rtsp://admin:hasło@192.168.1.108:554/cam/realmonitor?channel=1&subtype=0 - Main stream rtsp://admin:hasło@192.168.1.108:554/cam/realmonitor?channel=1&subtype=1 - Sub stream |
| Main features: | <ul style="list-style-type: none"> • Active deterrence function, Alternately flashing LEDs: red and blue - frequency configuration, Alarm siren • WDR - 120 dB - Wide Dynamic Range • 3D-DNR - Digital Noise Reduction • ROI - improve the quality of selected parts of image • F-DNR (Defog) - Reduction of image noise caused by precipitation • Quick Pick - AI technology enabling, together with the recorder, quick identification of interesting objects (people/vehicles) based on an artificial intelligence algorithm. It allows to extract and compare the colors of clothes and vehicles • SMD 4.0 - searching for an object classified as: human, motor vehicle - increased detection distance and resistance to false alarms • AI SSA AI Smart Scene Adaptive - scene auto-adaptation using deep learning algorithms to detect environmental conditions such as rain, fog, backlight, low light and flickering, in order to set the optimal image parameters • BLC/HLC - Back Light / High Light Compensation • Day/night mode • Full Color - colorful night mode • Auto White Balance • AGC - Automatic Gain Control • Motion Detection - max. 4 zones • Privacy zones - max. 8 • Mirror - Mirror image • Light and sound alarm • White light (LED) illuminator built-in : 2 LEDs • IVS analysis : crossing the line (tripwire), intrusion - classification of people and vehicles, scene changing, video tampering, Audio detection |
| Housing: | Compact - Metal |
| Color: | Black |
| "Index of Protection": | IP67 |
| Vandal-proof: | — |



| | |
|-----------------------|--|
| Power supply: | <ul style="list-style-type: none"> • PoE (802.3af), • 12 V DC / 630 mA |
| Power consumption: | max. 9.1 W @ PoE max. 7.6 W @ 12 V |
| Operation temp: | -40 °C ... 60 °C |
| Weight: | 0.99 kg |
| Dimensions: | 289 x 95 x 85 mm |
| Supported languages: | Polish, English, Czech, French, Spanish, Dutch, German, Russian, Portuguese, Romanian, Ukrainian, Hungarian, Italian |
| Manufacturer / Brand: | DAHUA |
| Guarantee: | 3 years |

PRESENTATION



Side view:



Memory card slot and "Reset" button:





Camera mounting side view:



Camera connectors:

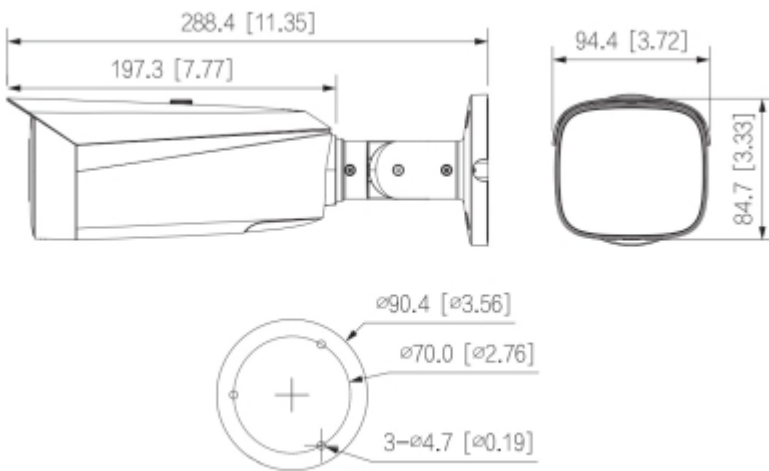




Connectors description:



Camera dimensions:

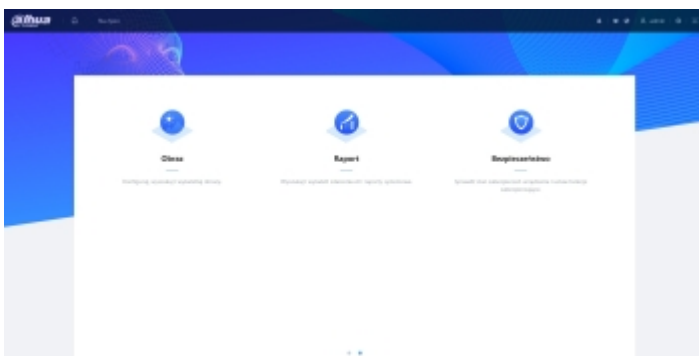
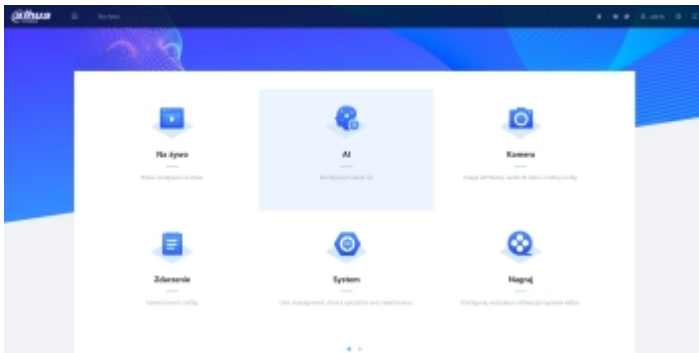


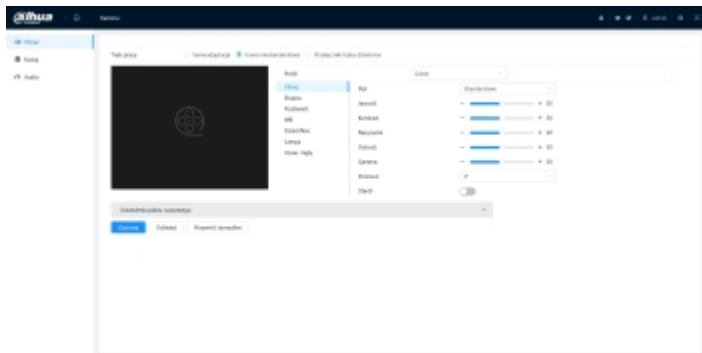
Presentation of the TiOC technology used in the camera:

- :
- See how to initialize DAHUA cameras:
- :
- In the kit:



Example captures of device interface:





OUR TESTS

Camera image at artificial illumination (about 30Lux):



Camera image at night conditions with internal built-in LED illuminator on:



Camera image at night conditions with internal built-in IR illuminator on:



Camera image at direct strong light opposite to camera:



PACKAGE

| | |
|----------------------------------|--------------------|
| Dimensions (L x W x H): 0x0x0 mm | Gross Weight: 0 kg |
|----------------------------------|--------------------|

