

Code: IPC-HDW2849TM-S-IL-0280B

IP CAMERA **IPC-HDW2849TM-S-IL-0280B** WizSense - 8.3 Mpx 4K UHD 2.8 mm DAHUA

Net: **306.59 EUR** Gross: **306.59 EUR**



IP camera with efficient H.264 / H.265 image compression algorithm for clear and smooth video streaming at maximal resolution of 8.3 MPx, 4K UHD.

The device is equipped with Smart Dual Illumination technology, thanks to which the user has a choice of white light mode and IR (infrared) mode. When Smart Dual Illumination is active, the white light will turn on automatically only when an object is detected in the monitored area, which effectively improves the image quality.

PoE powering possibility, compatible with the 802.3af standard makes the device more universal and easier to install.

SPECIFICATION

| | |
|------------------------------------|--|
| Standard: | TCP/IP |
| Sensor: | 1/2.7 " Progressive Scan CMOS |
| Matrix size: | 8.3 Mpx |
| Resolution: | 3840 x 2160 - 8.3 Mpx 4K UHD , 3072 x 2048 - 6 Mpx , 3072 x 1728 - 5 Mpx , 2880 x 1620 - 4.6 Mpx , 2688 x 1520 - 4 Mpx , 2048 x 1536 - 3 Mpx , 2304 x 1296 - 3 Mpx , 1920 x 1080 - 1080p , 1280 x 960 - 1.3 Mpx , 1280 x 720 - 720p |
| Lens: | 2.8 mm |
| View angle: | • 111 ° (manufacturer data) • 105 ° (our tests result) |
| White light LED illuminator range: | 30 m |
| Range of IR illumination: | 30 m |
| Image compression method: | H.265+ / H.265 / H.264+ / H.264 / MJPEG |
| Main stream frame rate: | 20 fps @ 8.3 Mpx 25 fps @ 4 Mpx |
| Memory card slot: | Micro SD memory cards up to 256GB support (possible local recording) |
| RS-485 interface: | — |

DELTA-OPTI Monika Matysiak; <https://www.delta.poznan.pl>
POL; 60-713 Poznań; Graniczna 10
e-mail: delta-opti@delta.poznan.pl; tel: +(48) 61 864 69 60

| | |
|--------------------------------|--|
| Alarm inputs / outputs: | — |
| Audio: | <ul style="list-style-type: none"> • Microphone built-in • Audio transmission via network • Audio detection • Compliance with the AAC standard |
| Network interface: | 10/100 Base-T (RJ-45) |
| Network protocols: | IPv4/IPv6, HTTP, TCP, UDP, ARP, RTP, RTSP, RTCP, RTMP, SMTP, FTP, SFTP, DHCP, DNS, DDNS, QoS, UPnP, NTP, Multicast, ICMP, IGMP, NFS, PPPoE, Bonjour |
| WEB Server: | Built-in |
| Max. number of on-line users: | 20 |
| ONVIF: | 21.12 |
| Mobile phones support: | Port no.: 37777 or access by a cloud (P2P) <ul style="list-style-type: none"> • Android: Free application DMSS • iOS (iPhone): Free application DMSS |
| Default IP address: | 192.168.1.108 |
| Default admin user / password: | admin / - The administrator password should be set at the first start |
| Web browser access ports: | 80, 37777 |
| PC client access ports: | 37777 |
| Mobile client access ports: | 37777 |
| Port ONVIF: | 80 |
| RTSP URL: | rtsp://admin:hasło@192.168.1.108:554/cam/realmonitor?channel=1&subtype=0 - Main stream rtsp://admin:hasło@192.168.1.108:554/cam/realmonitor?channel=1&subtype=1 - Sub stream |
| Main features: | <ul style="list-style-type: none"> • WDR - 120 dB - Wide Dynamic Range • 3D-DNR - Digital Noise Reduction • ROI - improve the quality of selected parts of image • BLC/HLC - Back Light / High Light Compensation • NAS - Network Attached Storage support • Day/Night mode (color/b&w/auto) • ICR - Movable InfraRed filter • Auto White Balance • AGC - Automatic Gain Control • Possibility to change the resolution, quality and bit rate • Configurable Privacy Zones • video tampering • Mirror - Mirror image • Full Color - colorful night mode • Smart motion detection (with recognizing people and vehicles) • SMD PLUS - searching for an object classified as: human, motor vehicle • IVS analysis : intrusion, crossing the line (tripwire) - classification of people and vehicles |
| Housing: | Dome - Metal + Plastic |
| Color: | White |
| "Index of Protection": | IP67 |
| Vandal-proof: | — |
| Power supply: | <ul style="list-style-type: none"> • PoE (802.3af), • 12 V DC / 420 mA |
| Power consumption: | <ul style="list-style-type: none"> • ≤ 5.9 W @ PoE • ≤ 5 W @ 12 V DC |
| Operation temp: | -40 °C ... 60 °C |
| Weight: | 0.46 kg |
| Dimensions: | Ø 122 x 99 mm |



| | |
|-----------------------|---|
| Supported languages: | Polish, English, Czech, French, Spanish, Dutch, German, Russian, Portuguese, Romanian, Turkish, Ukrainian, Hungarian, Italian |
| Manufacturer / Brand: | DAHUA |
| Guarantee: | 3 years |

PRESENTATION

Camera is out from clamping ring:



Memory card slot and "Reset" button:



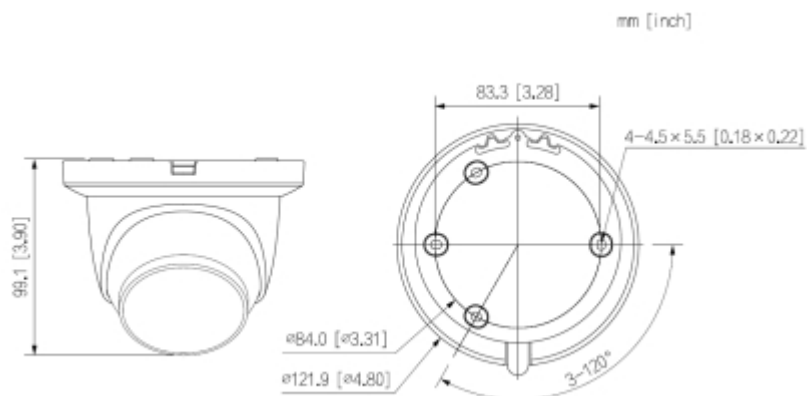
Camera mounting side view:



See how to initialize DAHUA cameras:

:

Dimensions:

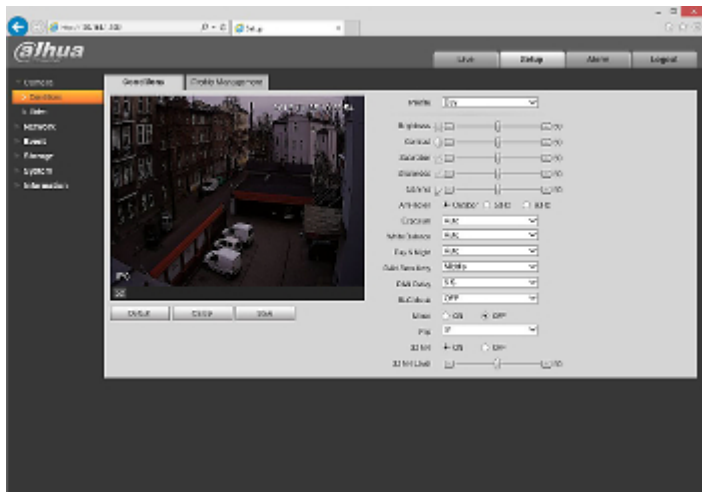


In the kit:



Example captures of device interface:





OUR TESTS

Camera image at artificial illumination (about 30Lux):



Camera image at night conditions with internal built-in LED illuminator on:



Camera image at night conditions with internal built-in IR illuminator on:



Camera image at direct strong light opposite to camera:



PACKAGE

| | |
|----------------------------------|--------------------|
| Dimensions (L x W x H): 0x0x0 mm | Gross Weight: 0 kg |
|----------------------------------|--------------------|



DELTA-OPTI Monika Matysiak; <https://www.delta.poznan.pl>
POL; 60-713 Poznań; Graniczna 10
e-mail: delta-opti@delta.poznan.pl; tel: +(48) 61 864 69 60