

Code: TC-P54BM SPEC:V5/V3.0

CAMERA BRACKET **TC-P54BM SPEC:V5/V3.0** TIANDY

Net: **132.00 PLN** Gross: **132.00 PLN**

Bracket is perfect to hide connectors, cables and power adapter inside of it.

The product meets the IP66 tightness class.

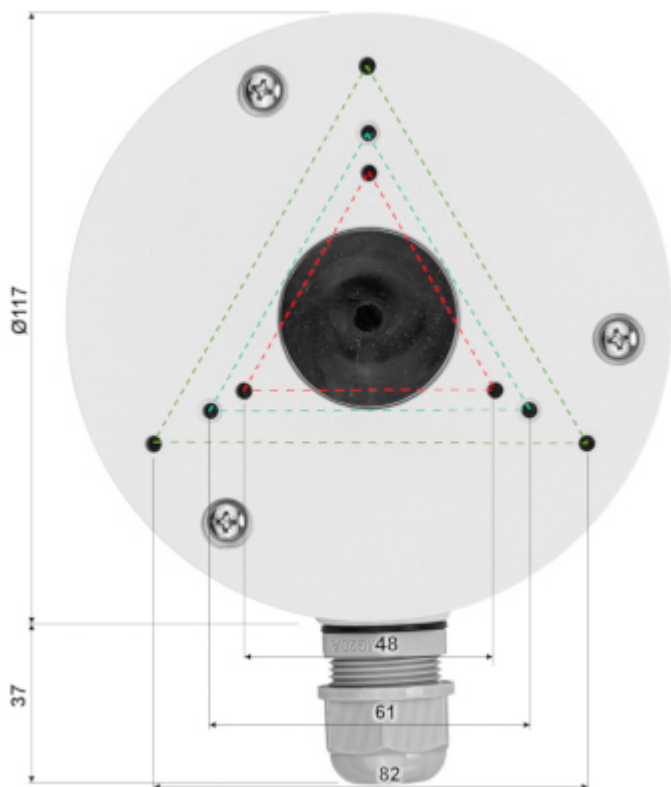


SPECIFICATION

Suitable for cameras:	Tiandy - documentation for download below.
Neck diameter:	Ø 117 mm
Material:	Aluminum alloy
Color:	White
Distance from mounting surface:	41 mm
Weight:	0.35 kg
Dimensions:	Ø 117 x 41 mm
Manufacturer / Brand:	TIANDY
Guarantee:	3 years

PRESENTATION

Camera mounting side view:



Wall mounting side view:



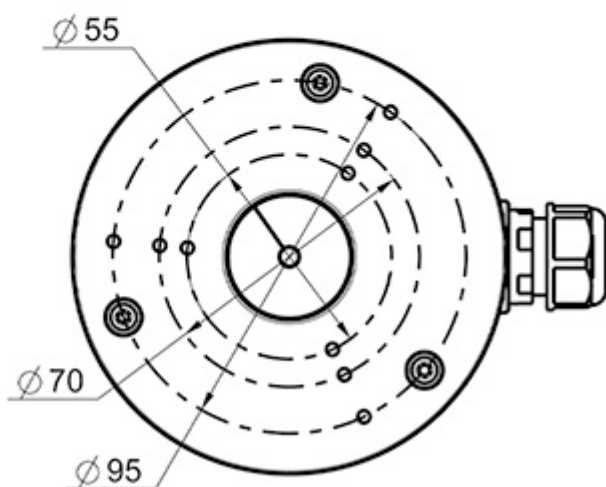
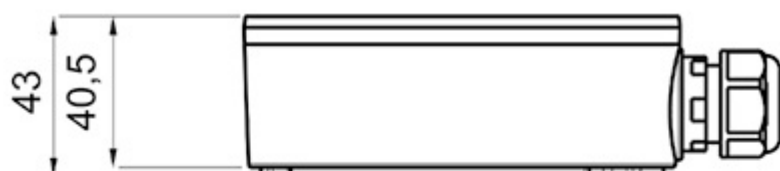
View without the front cover:



Side view:



Dimensions:



In the kit:



PACKAGE

Dimensions (L x W x H): 0x0x0 mm	Gross Weight: 0 kg
----------------------------------	--------------------

