

Code: GB-104

PROGRAMMABLE ELECTRONIC TIME SWITCH **GB-104**

Net: **43.99 PLN** Gross: **43.99 PLN**

The GB-104 time switch allows to power the devices at the time programmed by the user. Device can work according to the daily, or weekly schedule. Ability do program up to 16 ON / OFF operating cycles in a repeated program.
ATTENTION! In the case of non-compliance markings printed on the side of housing with the markings presented on the front panel, please follow the markings from the device front panel.



SPECIFICATION

Number of relay outputs:	1 pcs NC / NO
Power supply:	<ul style="list-style-type: none">• 230 V AC,• Battery backup : ≥ 360 h
Relay maximal load:	16 A (max) / 250 V AC (max)
Minimal time interval:	60 s
Error:	≤ 2 s / 24 h
Main features:	<ul style="list-style-type: none">• Weekly, or daily operation schedule• Ability do program up to 16 ON / OFF operating cycles in a repeated program• LCD display
Assembly:	DIN TS-35 rail
Operation temp:	-10 °C ... 55 °C
Weight:	0.12 kg
Dimensions:	89 x 65 x 36 mm
Guarantee:	2 years

PRESENTATION

DELTA-OPTI Monika Matysiak; <https://www.delta.poznan.pl>
POL; 60-713 Poznań; Graniczna 10
e-mail: delta-opti@delta.poznan.pl; tel: +(48) 61 864 69 60



Front view:





Mounting side view:



Connectors view:

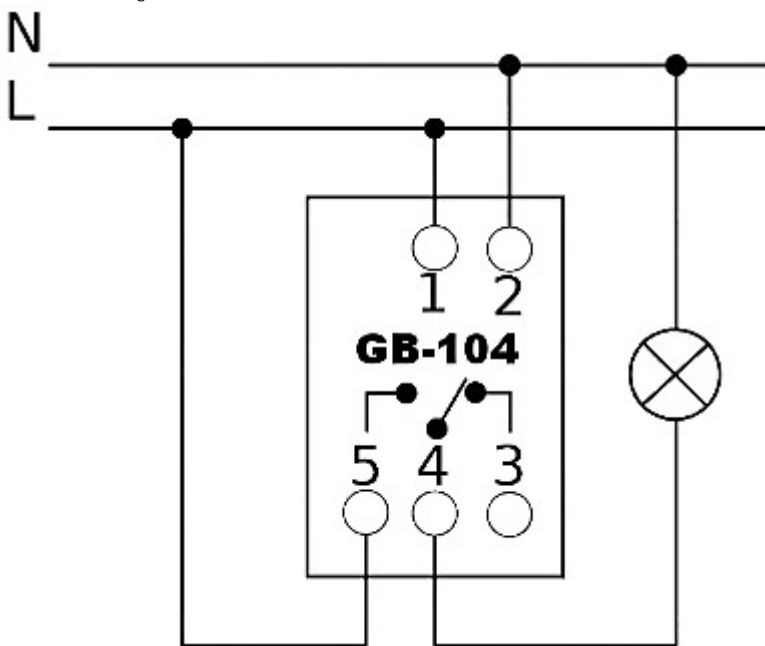




Side view:



Connection diagram:



PACKAGE

Dimensions (L x W x H): 0x0x0 mm	Gross Weight: 0 kg
----------------------------------	--------------------



DELTA-OPTI Monika Matysiak; <https://www.delta.poznan.pl>
 POL; 60-713 Poznań; Graniczna 10
 e-mail: delta-opti@delta.poznan.pl; tel: +(48) 61 864 69 60