

Code: 12.8V/150AH/LIFEPO4-EP

BATTERY **12.8V/150AH/LIFEPO4-EP** EUROPOWER

Net: **1 024.28 EUR** Gross: **1 024.28 EUR**

The lithium-iron-phosphate battery is characterized by exceptional durability, current efficiency and charging speed. It is also a more durable and lighter alternative to lead-acid batteries.

The batteries are equipped with the BMS battery management system, which not only controls the charging and discharging of the battery, but also the temperature, ensuring safety and extending the life to the maximum. The Bluetooth interface allows you to monitor the status of the battery.

The LiFePO₄ batteries are designed to withstand even the harshest conditions and wherever the size and weight of the energy source are important. Example applications: electric cars, campers, scooters, electric boats, wheelchairs, lawn mowers, photovoltaic installations, UPS, alarm and fire protection systems, access control and monitoring systems, etc.



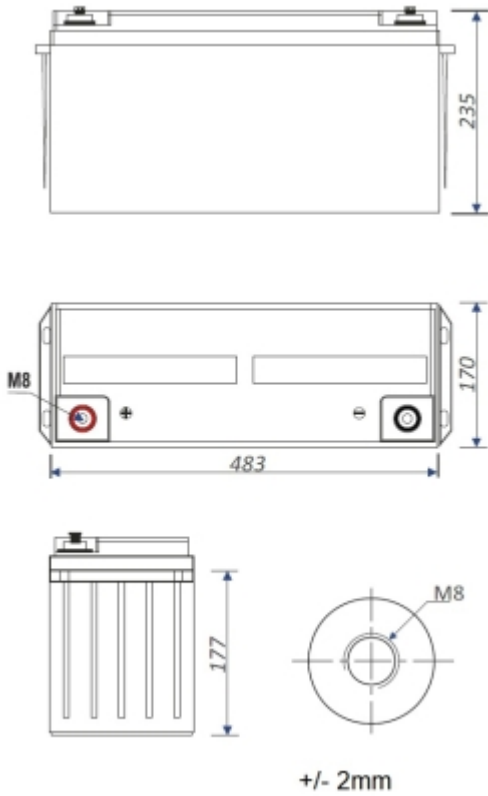
SPECIFICATION

Battery capacity:	150 Ah
Rated voltage:	12.8 V
Battery charging current:	max. 75 A
Battery type:	LiFePO ₄ lithium-iron-phosphate battery
Battery lifetime:	> 2000 cycles @ 80 % DoD
Connector:	M8 screw
Weight:	19.7 kg
Dimensions:	483 x 170 x 235 mm
Manufacturer / Brand:	EUROPOWER
Guarantee:	5 years

PRESENTATION

Dimensions:

DELTA-OPTI Monika Matysiak; <https://www.delta.poznan.pl>
POL; 60-713 Poznań; Graniczna 10
e-mail: delta-opti@delta.poznan.pl; tel: +(48) 61 864 69 60



PACKAGE

Dimensions (L x W x H): 0x0x0 mm	Gross Weight: 0 kg
----------------------------------	--------------------

