

Code: VTM115

SURFACE HOUSING **VTM115** DAHUA

Net: **346.14 NOK** Gross: **346.14 NOK**



The surface-mounted housing is dedicated to VTO2202F-P devices.

SPECIFICATION

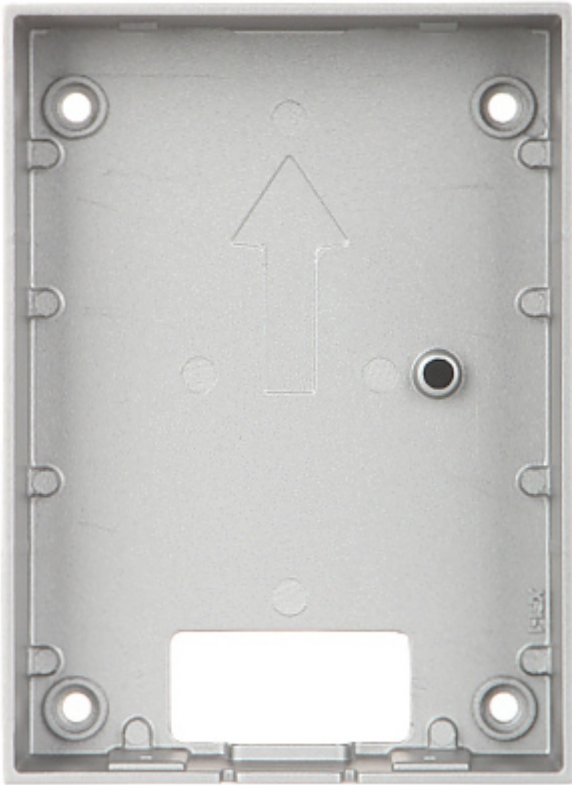
Material:	Aluminum
Application:	VTO2202F-P
Color:	Silver
Weight:	0.17 kg
Internal dimensions:	120 x 88 x 24 mm
External dimensions:	129 x 95 x 29 mm
Manufacturer / Brand:	DAHUA
Guarantee:	3 years

PRESENTATION

Front view:



DELTA-OPTI Monika Matysiak; <https://www.delta.poznan.pl>
POL; 60-713 Poznań; Graniczna 10
e-mail: delta-opti@delta.poznan.pl; tel: +(48) 61 864 69 60



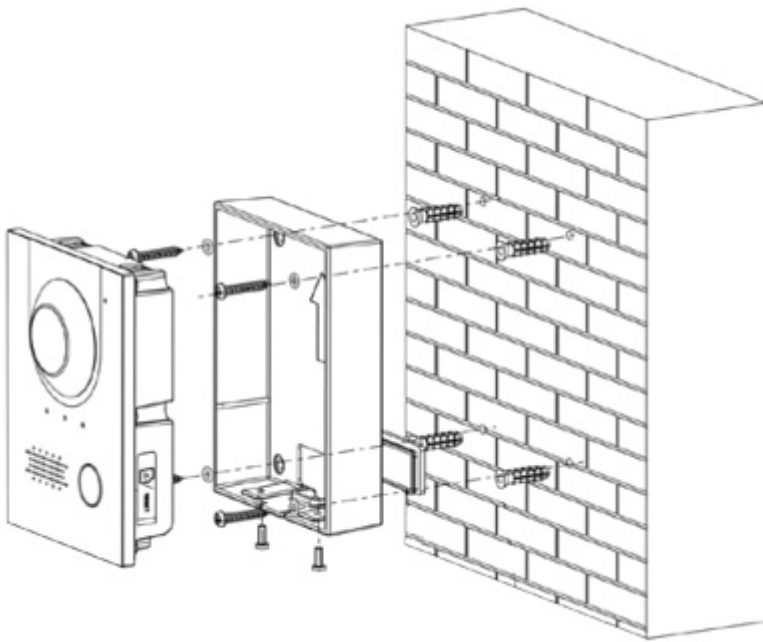
Rear view:



Side view:

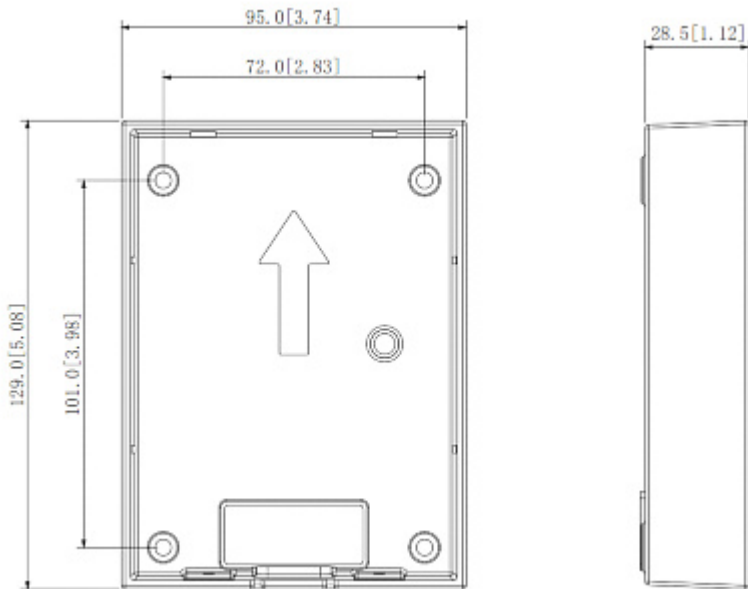


Method of mounting:

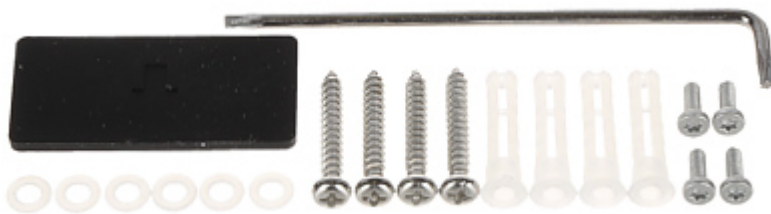


Dimensions:





In the kit:



PACKAGE

Dimensions (L x W x H): 0x0x0 mm	Gross Weight: 0 kg
----------------------------------	--------------------

