

Code: PRT66LT-G

## PROXIMITY READER **PRT66LT-G** ROGER

Net: 215.00 PLN Gross: 215.00 PLN



Outdoor proximity cards and key-fobs reader. Unique 125 kHz standard.

### SPECIFICATION

Cards support:	Unique EM 125kHz
Reading distance of prox-keys:	max. 15 cm
Keyboard built-in:	—
Autonomous operation:	—
Doorbell button:	—
Output lines:	2
Tamper output:	✓
Battery backup support:	—
Communication:	<ul style="list-style-type: none"><li>• Wiegand 26-66bit</li><li>• Magstripe (Clock &amp; Data)</li><li>• RACS (Roger)</li></ul>
Main features:	<ul style="list-style-type: none"><li>• Tamper protection (detection of removing from mounting surface and enclosure opening)</li><li>• LED indication</li><li>• Beep signal</li><li>• Manual or computer programming</li></ul>
Power supply:	10 ... 15 V DC
Average current consumption:	45 mA
Environment class:	IV
Operation temp:	-25 °C ... 60 °C
Permissible relative humidity:	10 ... 95 % (non-condensing)

DELTA-OPTI Monika Matysiak; <https://www.delta.poznan.pl>  
POL; 60-713 Poznań; Graniczna 10  
e-mail: [delta-opti@delta.poznan.pl](mailto:delta-opti@delta.poznan.pl); tel: +(48) 61 864 69 60

"Index of Protection":	IP67
Weight:	0.14 kg
Dimensions:	85 x 85 x 27 mm
Manufacturer / Brand:	ROGER
Guarantee:	<b>3 years</b>

## PRESENTATION

Front panel:

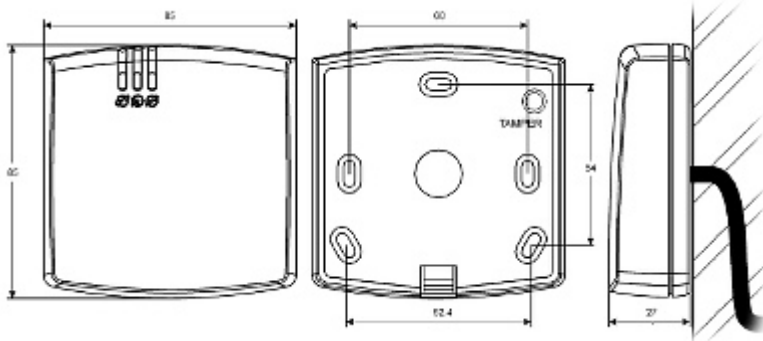


Rear view:

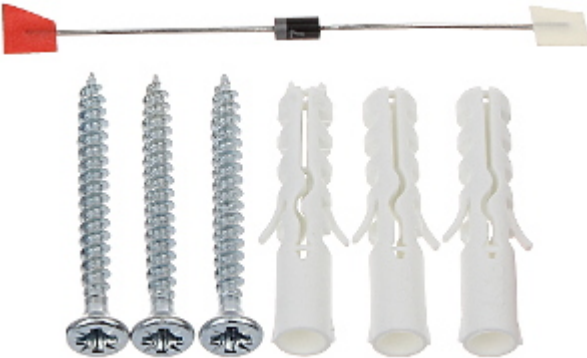




Dimensions:



In the kit:



**PACKAGE**

Dimensions (L x W x H): 0x0x0 mm	Gross Weight: 0 kg
----------------------------------	--------------------