

Code: PFB605W

HOUSING BRACKET **PFB605W** DAHUA

Net: **134.00 PLN** Gross: **134.00 PLN**

Aluminum, painted bracket for housings and cameras, outdoor.

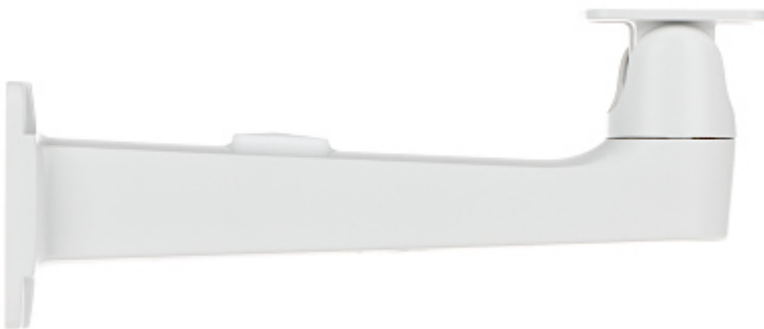


SPECIFICATION

Material:	Aluminum
Distance from mounting surface:	250 mm
Bearing capacity:	max. 5 kg
Color:	White
Adjustment:	in two planes
Dimensions:	92 x 121 x 285 mm
Weight:	0.63 kg
Manufacturer / Brand:	DAHUA
Guarantee:	3 years

PRESENTATION

Side view:



Top view:



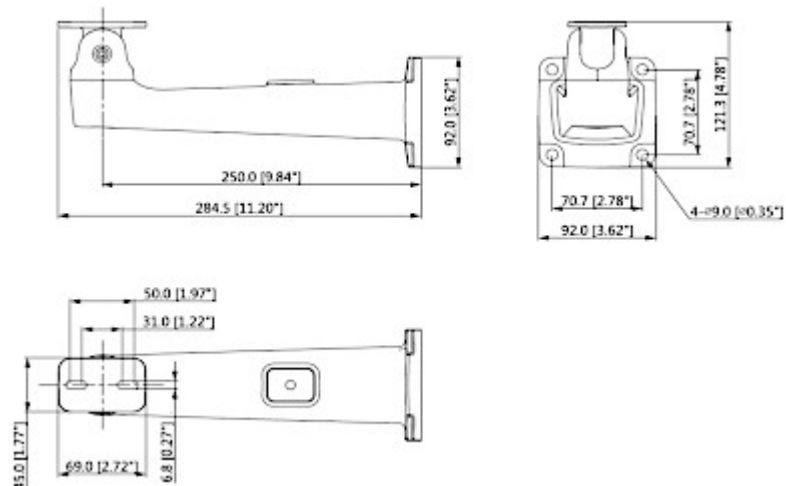
DELTA-OPTI Monika Matysiak; <https://www.delta.poznan.pl>
POL; 60-713 Poznań; Graniczna 10
e-mail: delta-opti@delta.poznan.pl; tel: +(48) 61 864 69 60



Wall mounting side view:



Dimensions:



In the kit:



PACKAGE

Dimensions (L x W x H): 0x0x0 mm	Gross Weight: 0 kg
----------------------------------	--------------------



DELTA-OPTI Monika Matysiak; <https://www.delta.poznan.pl>
POL; 60-713 Poznań; Graniczna 10
e-mail: delta-opti@delta.poznan.pl; tel: +(48) 61 864 69 60