

Code: DH-TPC-SD8620P-TA25

# IP HYBRID THERMAL IMAGING CAMERA **DH-TPC-SD8620P-TA25** 25 mm - 1.4 Mpx, 6 ... 180 mm - 1080p DAHUA

Net: **13 075.22 EUR** Gross: **13 075.22 EUR**

The DH-TPC-SD8620P-TA25 Thermal Imaging Camera is a modern solution that allows to detect the presence of people, animals and vehicles regardless of prevailing vision conditions. The device is equipped with sensitive VOx microbolometer that allows to observe the objects in fog, smoke and in the absence of illumination. An additional advantage of the TPC series cameras is the ability to detect fire and send a signal to the alarm control panel when it occurs.



## SPECIFICATION

Sensor:	Uncooled VOx microbolometer
Matrix size:	640 x 512 px
Pixel pitch:	17 µm
Thermal sensitivity (NETD):	< 40 mK @ F1.0
Spectral range:	7 µm ... 14 µm
Color palettes:	14
Lens:	25 mm
View angle:	25 °
Resolution:	1280 x 1024 - 1.4 Mpx , 1280 x 720 - 720p , 640 x 512 - 0.3 Mpx
Operation modes:	Main and sub streams may be in any configuration Firmware 2.401.0000.1.R.3019.9A.NR, build : 2016-08-02 • Main stream : 1280 x 1024, 1280 x 720 • Sub stream : 640 x 512, 320 x 256
Temperature measurement:	• Spot • Line • Area max. 8 positions
Temperature measurement range:	• -40 °C ... +160 °C • -40 °C ... +550 °C

DELTA-OPTI Monika Matysiak; <https://www.delta.poznan.pl>  
POL; 60-713 Poznań; Graniczna 10  
e-mail: [delta-opti@delta.poznan.pl](mailto:delta-opti@delta.poznan.pl); tel: +(48) 61 864 69 60

## VIDEO CAMERA:

Sensor:	1/1.9 " Progressive Scan Exmor CMOS
Matrix size:	2.1 Mpx
Scanning system:	Progressive
Lens:	6 ... 180 mm
View angle:	<ul style="list-style-type: none"> <li>• 59 ° ... 2.4 ° (manufacturer data)</li> <li>• 56 ° ... 3.2 ° (our tests result)</li> </ul>
Optical zoom:	x 30
Digital zoom:	x 16
Min. illumination:	0.001 Lux (color) @ F1.5 0.0001 Lux (B/W) @ F1.5
Range of IR illumination:	150 m
S/N ratio:	> 55 dB (AGC off)
Resolution:	1920 x 1080 - 1080p 1280 x 720 - 720p 704 x 576 - D1
Operation modes:	<p>Main and sub streams may be in any configuration</p> <p>Firmware 2.401.0000.1.R.3019.9A.NR, build : 2016-08-02</p> <ul style="list-style-type: none"> <li>• Main stream : 1920 x 1080, 1280 x 720, 704 x 576</li> <li>• Sub stream : 704 x 576, 353 x 288</li> </ul>

## General information:

Standard:	TCP/IP, CVBS
Video output:	CVBS - 1 Vpp / 75 Ω, BNC
RS-485 interface:	✓
Memory card slot:	Micro SD memory cards up to 128GB support (possible local recording)
Image compression method:	H.264 / MJPEG
Alarm inputs / outputs:	7 / 2
Audio:	<ul style="list-style-type: none"> <li>• External microphone input</li> <li>• Audio output</li> </ul>
Bitrate:	640 ... 8192 kbps - H.264
Main stream frame rate:	25 fps @ 1280 x 1024 25 fps @ 1080p
Network interface:	10/100 Base-T (RJ-45)
Network protocols:	IPv4/IPv6, HTTP, HTTPS, SSL, TCP/IP, UDP, UPnP, ICMP, IGMP, SNMP, RTSP, RTP, SMTP, NTP, DHCP, DNS, PPPoE, DDNS, FTP, IP Filter, QoS, Bonjour, 802.1x Radius
WEB Server:	Built-in, NVR compliance
Max. number of on-line users:	20
ONVIF:	2.42
Mobile phones support:	<p>Port 37777</p> <ul style="list-style-type: none"> <li>• Android: Free application <a href="#">DMSS</a></li> <li>• iOS (iPhone): Free application <a href="#">DMSS</a></li> </ul>
Default IP address:	192.168.1.108
Default admin user / password:	admin / admin
Web browser access ports:	80, 37777
PC client access ports:	37777
Mobile client access ports:	37777

Port ONVIF:	80
RTSP URL:	rtsp://admin:haslo@192.168.1.108:554/cam/realmonitor?channel=1&subtype=0 - Main stream rtsp://admin:haslo@192.168.1.108:554/cam/realmonitor?channel=1&subtype=1 - Sub stream
Preset rotation speed:	<ul style="list-style-type: none"> <li>• 240 °/s (horizontal)</li> <li>• 200 °/s (vertical)</li> </ul>
Rotation speed (manual control):	<ul style="list-style-type: none"> <li>• 0.1 °/s ... 200 °/s (horizontal)</li> <li>• 0.1 °/s ... 120 °/s (vertical)</li> </ul>
Horizontal rotation range:	360 ° - continuous
Vertical rotation range:	-20 ° ... 90 °
Protocols:	DH-SD, Pelco-P, Pelco-D
Number of presets:	300
Horizontal scan:	✓
Route settings:	5
Main features:	<ul style="list-style-type: none"> <li>• FFC (Flat Field Correction) - background correction function - typically, it allows to raise the image intensity to x2. It compensates the lighting non-uniformities on the sensor</li> <li>• ROI - improve the quality of selected parts of image</li> <li>• 3D-DNR - Digital Noise Reduction</li> <li>• Temperature measurement</li> <li>• AGC - Automatic Gain Control</li> <li>• Motion Detection</li> <li>• Configurable Privacy Zones</li> <li>• PIP - Picture In Picture</li> <li>• Heat map - the selection in the image by corresponding colors the areas with different traffic</li> <li>• IVS analysis : crossing the line (tripwire), intrusion, abandoned/missing object, face detection, object detection (people, vehicle), fire detection</li> <li>• WDR - 120 dB - Wide Dynamic Range</li> <li>• BLC/HLC - Back Light / High Light Compensation</li> <li>• Motion Detection</li> <li>• Sharpness - sharper image outlines</li> <li>• Mirror - Mirror image</li> <li>• Day/Night mode (color/b&amp;w/auto)</li> <li>• ICR - Movable InfraRed filter</li> <li>• Wiper</li> <li>• The device has a built-in heater</li> </ul>
Power supply:	24 V AC / 1580 mA (power adapter included)
Power consumption:	≤ 38 W
Housing:	Speed Dome
Color:	White
"Index of Protection":	IP66
Operation temp:	-40 °C ... 70 °C
Dimensions:	Ø 240 x 352 mm (without bracket) 457 x 240 x 116 (with bracket)
Weight:	6.34 kg (without bracket) 7.10 kg (with bracket)
Supported languages:	English
Manufacturer / Brand:	DAHUA
Guarantee:	<b>3 years</b>

## PRESENTATION



DELTA-OPTI Monika Matysiak; <https://www.delta.poznan.pl>  
POL; 60-713 Poznań; Graniczna 10  
e-mail: delta-opti@delta.poznan.pl; tel: +(48) 61 864 69 60



Memory card slot:



Camera connectors:

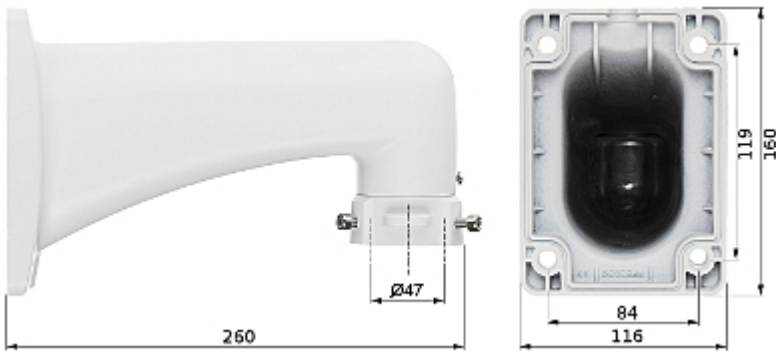




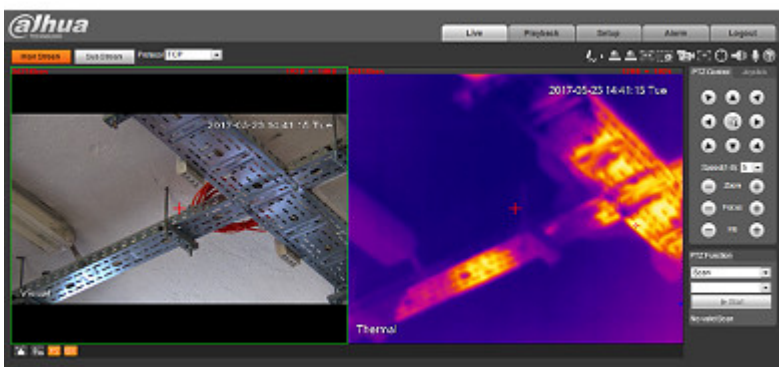
Connectors description:



In the kit:



Example captures of device interface:



## OUR TESTS

DELTA-OPTI Monika Matysiak; <https://www.delta.poznan.pl>  
 POL; 60-713 Poznań; Graniczna 10  
 e-mail: delta-opti@delta.poznan.pl; tel: +(48) 61 864 69 60

Camera image at artificial illumination (about 30Lux):



Camera image at night conditions with internal built-in IR illuminator on:



Camera image at direct strong light opposite to camera:

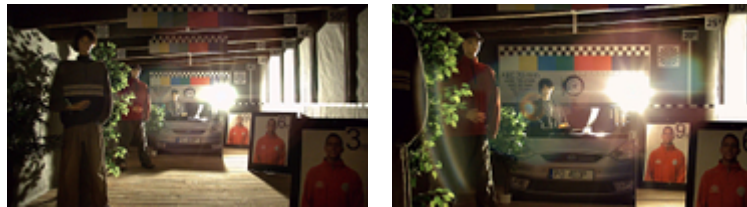
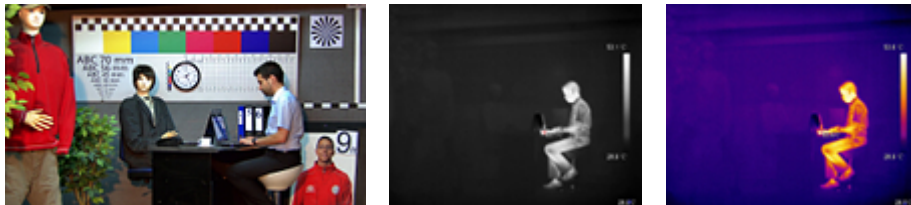


Image comparison of the video camera and the thermal imaging camera in sample color pallets:



## PACKAGE

Dimensions (L x W x H): 0x0x0 mm	Gross Weight: 0 kg
----------------------------------	--------------------