

Code: TPC-SD2221-B7F8

IP HYBRID THERMAL IMAGING CAMERA **TPC-SD2221-B7F8** 7 mm - 960p, 8 mm - 1080p DAHUA

Net: **8 678.00 PLN** Gross: **8 678.00 PLN**

The TPC-SD2221-B7F8 Dual Thermal Imaging Camera is a modern solution that allows to detect the presence of people, animals and vehicles regardless of the prevailing vision conditions. The device is equipped with sensitive VOx microbolometer that allows to observe the objects in fog, smoke and in the absence of illumination. An additional advantage of the TPC series cameras is the ability to detect fire and send a signal to the alarm control panel when it occurs.



SPECIFICATION

Sensor:	Uncooled VOx microbolometer
Matrix size:	256 x 192 px
Pixel pitch:	12 μ m
Thermal sensitivity (NETD):	< 50 mK
Spectral range:	8 μ m ... 14 μ m
Color palettes:	18
Lens:	7 mm
View angle:	24 °
Temperature measurement:	—
Resolution:	1280 x 960 - 960p , 1024 x 768 px , 640 x 480 px , 256 x 192 px

VIDEO CAMERA:

Sensor:	1/2.8 " Progressive Scan CMOS
Matrix size:	2.1 Mpx
Scanning system:	Progressive Scan CMOS
Lens:	8 mm



DELTA-OPTI Monika Matysiak; <https://www.delta.poznan.pl>
POL; 60-713 Poznań; Graniczna 10
e-mail: delta-opti@delta.poznan.pl; tel: +(48) 61 864 69 60

View angle:	40 °
Optical zoom:	—
Digital zoom:	—
Range of IR illumination:	50 m
Resolution:	1920 x 1080 - 1080p , 1280 x 720 - 720p , 704 x 576 - D1

General information:

Standard:	TCP/IP, CVBS
Video output:	CVBS - 1 Vpp / 75 Ω, BNC
RS-485 interface:	✓
Memory card slot:	Micro SD memory cards up to 256GB support (possible local recording)
Image compression method:	H.265 / H.264 / MJPEG
Alarm inputs / outputs:	2 / 1
Audio:	<ul style="list-style-type: none"> • External microphone input • Audio output
Main stream frame rate:	25 fps @ 1280 x 960 25 fps @ 1080p
Network interface:	10/100 Base-T (RJ-45)
Network protocols:	HTTP, TCP, ARP, RTSP, RTP, UDP, RTCP, SMTP, FTP, DHCP, DNS, DDNS, PPPoE, IPv4/IPv6, SNMP, QoS, UPnP, NTP
WEB Server:	Built-in, NVR compliance
Max. number of on-line users:	20
ONVIF:	18.12
Mobile phones support:	Port 37777 <ul style="list-style-type: none"> • Android: Free application DMSS • iOS (iPhone): Free application DMSS
Default IP address:	192.168.1.108
Default admin user / password:	admin / - The administrator password should be set at the first start
Web browser access ports:	80, 37777
PC client access ports:	37777
Mobile client access ports:	37777
Port ONVIF:	80
RTSP URL:	rtsp://admin:haslo@192.168.1.108:554/cam/realmonitor?channel=1&subtype=0 - Main stream rtsp://admin:haslo@192.168.1.108:554/cam/realmonitor?channel=1&subtype=1 - Sub stream
Preset rotation speed:	<ul style="list-style-type: none"> • 240 °/s (horizontal) • 200 °/s (vertical)
Rotation speed (manual control):	<ul style="list-style-type: none"> • 0.1 °/s ... 200 °/s (horizontal) • 0.1 °/s ... 120 °/s (vertical)
Horizontal rotation range:	360 ° - continuous
Vertical rotation range:	-15 ° ... 90 °
Protocols:	DH-SD, Pelco-P, Pelco-D
Number of presets:	300



Horizontal scan:	✓
Route settings:	8
Main features:	<ul style="list-style-type: none"> • 2D-DNR, 3D-DNR - Digital Noise Reduction • F-DNR (Defog) - Reduction of image noise caused by precipitation • ROI - improve the quality of selected parts of image • D-WDR - Wide Dynamic Range • FFC - flat field correction • BLC/HLC - Back Light / High Light Compensation • AGC - Automatic Gain Control • Motion Detection • Configurable Privacy Zones • Sharpness - sharper image outlines • Mirror - Mirror image • 6kV protection of the camera and its structure against the effects of lightning • Intelligent alarm linked to turning on white light and loudspeaker • IVS analysis : Smoke detection, fire detection, crossing the line (tripwire), intrusion - classification of people and vehicles, object detection (people, vehicle), objects tracking
Power supply:	12 V DC / 2 A
Power consumption:	≤ 24 W
Housing:	Speed Dome
Color:	White
"Index of Protection":	IP66
Operation temp:	-30 °C ... 60 °C
Weight:	3.9 kg
Dimensions:	Ø 160 x 295 mm
Supported languages:	English, French, Spanish, Italian
Manufacturer / Brand:	DAHUA
Guarantee:	3 years

PRESENTATION



DELTA-OPTI Monika Matysiak; <https://www.delta.poznan.pl>
 POL; 60-713 Poznań; Graniczna 10
 e-mail: delta-opti@delta.poznan.pl; tel: +(48) 61 864 69 60



Memory card slot:



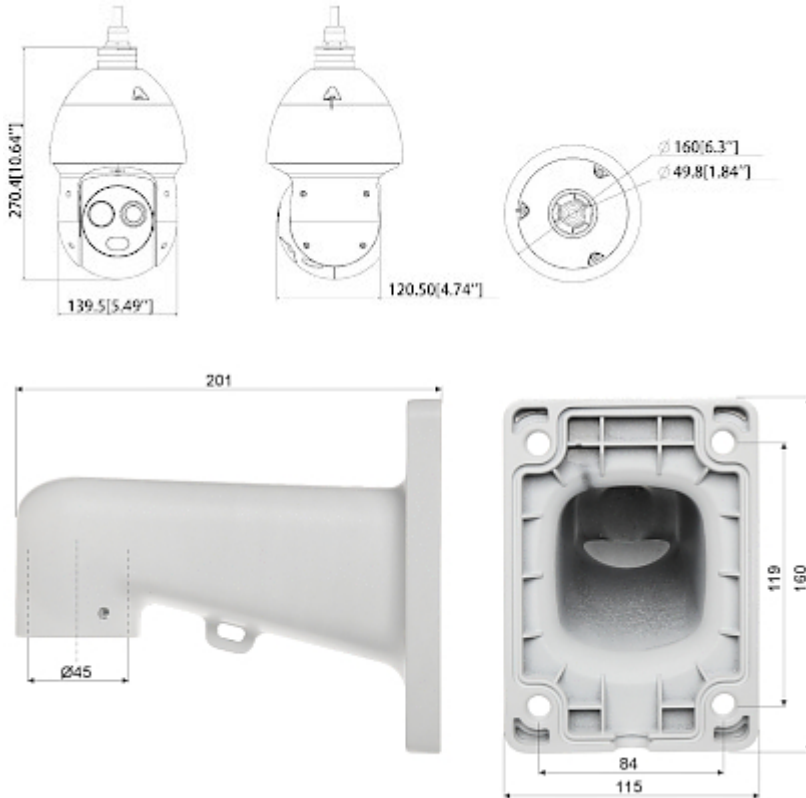
Camera connectors:



Connectors description:



Camera and bracket dimensions:



In the kit:



DELTA-OPTI Monika Matysiak; <https://www.delta.poznan.pl>
 POL; 60-713 Poznań; Graniczna 10
 e-mail: delta-opti@delta.poznan.pl; tel: +(48) 61 864 69 60



OUR TESTS

Camera image at artificial illumination (about 30Lux):



Camera image at night conditions with internal built-in IR illuminator on:



Camera image at direct strong light opposite to camera:



Image comparison of the video camera and the thermal imaging camera in sample color pallets:



PACKAGE

Dimensions (L x W x H): 0x0x0 mm	Gross Weight: 0 kg
----------------------------------	--------------------