

Code: TPC-SD2221-TB7F8

# IP HYBRID THERMAL IMAGING CAMERA **TPC-SD2221-TB7F8** 7 mm - 960p, 8 mm - 1080p DAHUA

Net: **9 769.00 PLN** Gross: **9 769.00 PLN**

The TPC-SD2221-TB7F8 Dual Thermal Imaging Camera is a modern solution that allows to detect the presence of people, animals and vehicles regardless of the prevailing vision conditions. The device is equipped with sensitive VOx microbolometer that allows to observe the objects in fog, smoke and in the absence of illumination. An additional advantage of the TPC series cameras is the ability to detect fire and send a signal to the alarm control panel when it occurs.



## SPECIFICATION

Sensor:	Uncooled VOx microbolometer
Matrix size:	256 x 192 px
Pixel pitch:	12 $\mu$ m
Thermal sensitivity (NETD):	$\leq$ 50 mK
Spectral range:	8 $\mu$ m ... 14 $\mu$ m
Color palettes:	18
Lens:	7 mm
View angle:	24 °
Temperature measurement:	<ul style="list-style-type: none"><li>• Spot</li><li>• Line</li><li>• Area</li></ul> max. 12 positions
Temperature measurement range:	<ul style="list-style-type: none"><li>• -20 °C ... +150 °C</li><li>• 0 °C ... +550 °C</li></ul>
Resolution:	1280 x 960 - 960p , 1024 x 768 px , 640 x 480 px , 256 x 192 px

## VIDEO CAMERA:

Sensor:	1/2.8 " CMOS
---------	--------------



DELTA-OPTI Monika Matysiak; <https://www.delta.poznan.pl>  
POL; 60-713 Poznań; Graniczna 10  
e-mail: [delta-opti@delta.poznan.pl](mailto:delta-opti@delta.poznan.pl); tel: +(48) 61 864 69 60

Matrix size:	2.1 Mpx
Lens:	8 mm
View angle:	40 °
Optical zoom:	—
Digital zoom:	—
Range of IR illumination:	50 m
Resolution:	1920 x 1080 - 1080p , 1280 x 720 - 720p , 704 x 576 - D1

General information:

Standard:	TCP/IP, CVBS
Video output:	CVBS - 1 Vpp / 75 Ω, BNC
RS-485 interface:	✓
Memory card slot:	Micro SD memory cards up to 256GB support (possible local recording)
Image compression method:	H.265 / H.264M / H.264H / H.264B / MJPEG
Alarm inputs / outputs:	2 / 1
Audio:	<ul style="list-style-type: none"> <li>• External microphone input</li> <li>• Audio output</li> </ul>
Main stream frame rate:	25 fps @ 1280 x 960 25 fps @ 1080p
Network interface:	10/100 Base-T (RJ-45)
Network protocols:	HTTP, TCP, ARP, RTSP, RTP, UDP, RTCP, SMTP, FTP, DHCP, DNS, DDNS, PPPoE, IPv4/IPv6, SNMP, QoS, UPnP, NTP
WEB Server:	Built-in, NVR compliance
Max. number of on-line users:	20
ONVIF:	✓
Mobile phones support:	Port 37777 <ul style="list-style-type: none"> <li>• Android: Free application <a href="#">DMSS</a></li> <li>• iOS (iPhone): Free application <a href="#">DMSS</a></li> </ul>
Default IP address:	192.168.1.108
Default admin user / password:	admin / - The administrator password should be set at the first start
Web browser access ports:	80, 37777
PC client access ports:	37777
Mobile client access ports:	37777
Port ONVIF:	80
RTSP URL:	rtsp://admin:haslo@192.168.1.108:554/cam/realmonitor?channel=1&subtype=0 - Main stream rtsp://admin:haslo@192.168.1.108:554/cam/realmonitor?channel=1&subtype=1 - Sub stream
Preset rotation speed:	<ul style="list-style-type: none"> <li>• 240 °/s (horizontal)</li> <li>• 200 °/s (vertical)</li> </ul>
Rotation speed (manual control):	<ul style="list-style-type: none"> <li>• 0.1 °/s ... 200 °/s (horizontal)</li> <li>• 0.1 °/s ... 120 °/s (vertical)</li> </ul>
Horizontal rotation range:	360 ° - continuous
Vertical rotation range:	-15 ° ... 90 °



Protocols:	DH-SD, Pelco-P, Pelco-D - Auto detection
Number of presets:	300
Horizontal scan:	✓
Route settings:	8
Main features:	<ul style="list-style-type: none"> <li>• 2D-DNR, 3D-DNR - Digital Noise Reduction</li> <li>• F-DNR (Defog) - Reduction of image noise caused by precipitation</li> <li>• ROI - improve the quality of selected parts of image</li> <li>• D-WDR - Wide Dynamic Range</li> <li>• BLC/HLC - Back Light / High Light Compensation</li> <li>• AGC - Automatic Gain Control</li> <li>• EIS - Electronic Image Stabilization</li> <li>• WB - White Balance (ATW/AWB/manual/indoor/outdoor)</li> <li>• Day/night mode</li> <li>• ICR - Movable InfraRed filter</li> <li>• AutoFocus</li> <li>• DDE - Digital Detail Enhancement</li> <li>• Motion Detection</li> <li>• Temperature measurement</li> <li>• 6kV protection of the camera and its structure against the effects of lightning</li> <li>• Intelligent alarm linked to turning on white light and loudspeaker</li> <li>• IVS analysis : Smoke detection, fire detection, crossing the line (tripwire), intrusion, object detection (people, vehicle), Intelligent tracking of warmest / coldest point</li> </ul>
Power supply:	<ul style="list-style-type: none"> <li>• 12 V DC / 2 A</li> <li>• PoE+</li> </ul>
Power consumption:	≤ 24 W
Housing:	Speed Dome
Color:	White
"Index of Protection":	IP66
Operation temp:	-30 °C ... 60 °C
Weight:	3.2 kg
Dimensions:	Ø 160 x 295 mm
Supported languages:	English
Manufacturer / Brand:	DAHUA
Guarantee:	<b>3 years</b>

## PRESENTATION





Memory card slot:



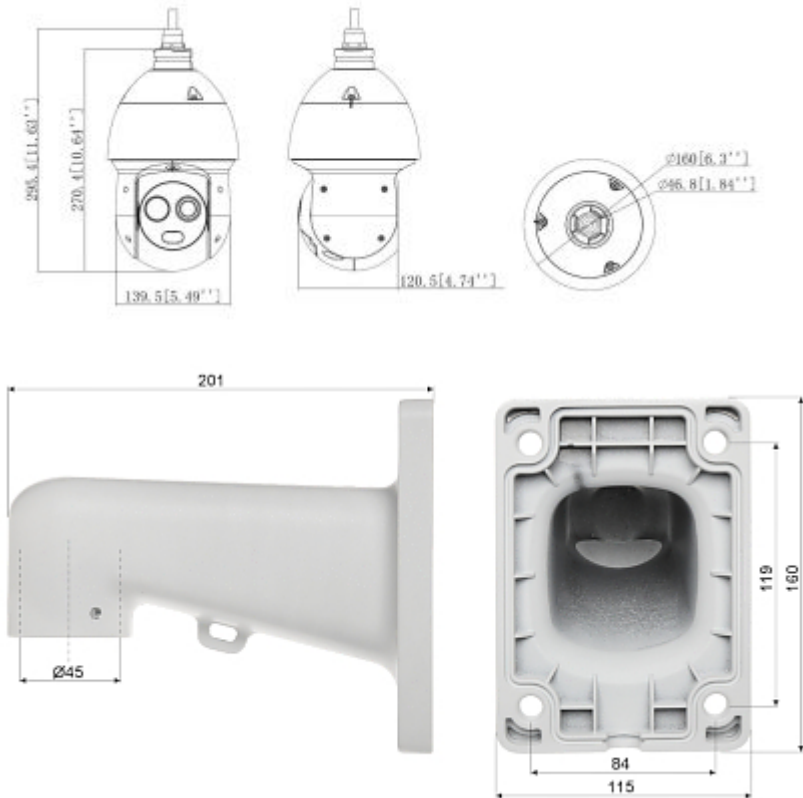
Camera connectors:



Connectors description:



Camera and bracket dimensions:



In the kit:

DELTA-OPTI Monika Matysiak; <https://www.delta.poznan.pl>  
 POL; 60-713 Poznań; Graniczna 10  
 e-mail: delta-opti@delta.poznan.pl; tel: +(48) 61 864 69 60



**PACKAGE**

Dimensions (L x W x H): 0x0x0 mm	Gross Weight: 0 kg
----------------------------------	--------------------

