

Code: TPC-M20-B10-G

# HANDHELD THERMAL MONOCULAR CAMERA **TPC-M20-B10-G** 10 mm DAHUA

Net: **623.03 CHF** Gross: **623.03 CHF**

Thermal Monocular Camera is a handheld thermal imaging camera, intended primarily for the observation of animals in their natural environments, as well as a supporting device in rescue, physical protection and hunting.

The great advantage of the thermal monocular camera is the built-in fire detection mode, which allows you to instantly locate the initial stage of a fire. Thanks to the use of a high-performance processor, the thermal monocular camera also allows you to measure the distance from the observed object (rangefinder function) using intelligent video analysis. The use of the Wi-Fi module allows for integration with the mobile application, which significantly affects the comfort of use. The device uses a built-in Li-Ion battery, which guarantees operation up to 9 hours on a single charge.



## SPECIFICATION

Sensor:	Uncooled VOx microbolometer
Matrix size:	256 x 192 px
Pixel pitch:	12 µm
Display:	0.2 " LCOS, 720 x 540 px
Thermal sensitivity (NETD):	≤ 40 mK @ F1.0
Spectral range:	8 µm ... 14 µm
Color palettes:	4
Lens:	10 mm
View angle:	17.3 °
Video output:	CVBS
Memory card slot:	Micro SD memory cards up to 256GB support (possible local recording)
Image compression method:	H.265
Network interface:	Wi-Fi
Mobile phones support:	<ul style="list-style-type: none"><li>• Android: Free application <a href="#">DH Thermal</a></li><li>• iOS (iPhone): Free application <a href="#">DH Thermal</a></li></ul>
DRI Detection Distance:	460 m

Main features:	<ul style="list-style-type: none"> <li>• Built-in fire detection mode,</li> <li>• Measure the distance from an object - rangefinder function - determining the approximate distance to the observed object based on intelligent image analysis,</li> <li>• Track the hottest or coldest spots in an image,</li> <li>• Built-in laser pointer,</li> <li>• Possibility to connect to an external monitor via the CVBS port - MMCX-J plug,</li> <li>• 4 color palettes: IRON RED - mode for long-term observations, especially at night; BLACK HOT - for observing active, moving objects - higher temperature - darker color; WHITE HOT - for observing active, moving objects - higher temperature - lighter color; ALARM - instant detection of high temperature areas, e.g. fire</li> <li>• Hotspot Wi-Fi</li> <li>• The ability to take photos, video recordings and configure parameters using a mobile application and a mobile phone,</li> <li>• micro USB connector (battery charging)</li> <li>• D-ZOOM - Digital Zoom : 2x, 3x, 4x</li> </ul>
Battery operation time:	≤ 9 h
Typical battery charge time:	< 3 h
Power supply:	<ul style="list-style-type: none"> <li>• Li-Ion battery,</li> <li>• 5 V DC / 300 mA (power adapter included)</li> </ul>
Power consumption:	< 1.5 W
Housing:	Compact - Plastic + Rubber
Color:	Black + Gray
Operation temp:	-20 °C ... 55 °C
"Index of Protection":	IP67
Weight:	0.35 kg
Dimensions:	168.7 x 58.3 x 58.6 mm
Supported languages:	English
Manufacturer / Brand:	DAHUA
Guarantee:	<b>3 years</b>

## PRESENTATION

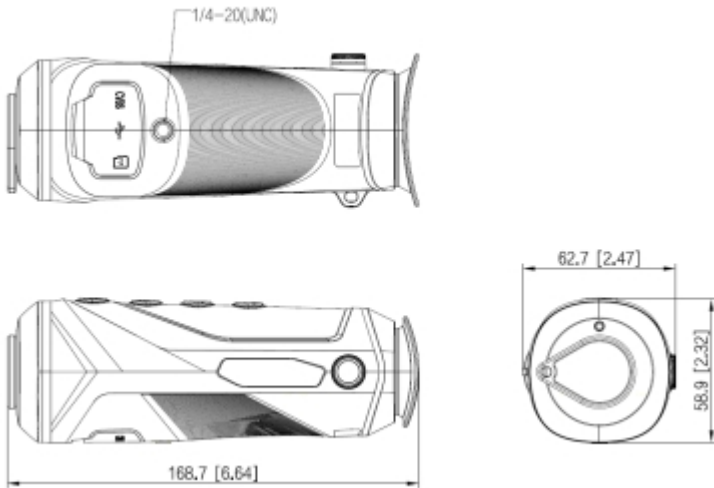


Top view:

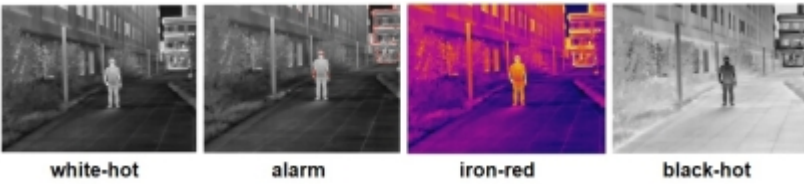


Dimensions:

mm [inch]



Color palettes:



Measure the distance from an object - rangefinder function:



**PACKAGE**

Dimensions (L x W x H): 0x0x0 mm	Gross Weight: 0 kg
----------------------------------	--------------------

