

Code: TPC-BF2241-B7F8-S2

IP HYBRID THERMAL IMAGING CAMERA **TPC-BF2241-B7F8-S2** 7.0 mm - 960p, 8.0 mm - 4 Mpx DAHUA Net: **8 321.00 PLN** Gross: **8 321.00 PLN**

The TPC-BF2241-B7F8-S2 Dual Thermal Imaging Camera is a modern solution that allows to detect the presence of people, animals and vehicles regardless of the prevailing vision conditions. The device is equipped with sensitive VOx microbolometer that allows to observe the objects in fog, smoke and in the absence of illumination. An additional advantage of the TPC series cameras is the ability to detect fire and send a signal to the alarm control panel when it occurs.

In addition, the camera has the function of active deterrence of intruders using a motion-activated white light LED spotlight and siren sound.



SPECIFICATION

Sensor:	Uncooled VOx microbolometer
Matrix size:	256 x 192 px
Pixel pitch:	12 μ m
Thermal sensitivity (NETD):	< 40 mK @ F1.0
Spectral range:	8 μ m ... 14 μ m
Color palettes:	18
Lens:	7.0 mm
View angle:	24 °
Resolution:	1280 x 960 - 960p , 1024 x 768 px , 640 x 480 px , 256 x 192 px

VIDEO CAMERA:

Sensor:	1/2.7 " Progressive Scan CMOS
Matrix size:	4 Mpx
Lens:	8.0 mm
View angle:	33.4 °
Optical zoom:	—
Digital zoom:	—
Min. illumination:	0.05 Lux (color) @ F2.0 0.005 Lux (B/W) @ F2.0
Range of IR illumination:	35 m
Resolution:	2336 x 1752 - 4 Mpx , 1920 x 1080 - 1080p 1280 x 720 - 720p 704 x 576 - 4CIF 352 x 288 - CIF

General information:



DELTA-OPTI Monika Matysiak; <https://www.delta.poznan.pl>
POL; 60-713 Poznań; Graniczna 10
e-mail: delta-opti@delta.poznan.pl; tel: +(48) 61 864 69 60

Standard:	TCP/IP, CVBS
Video output:	CVBS - 1 Vpp / 75 Ω, BNC
RS-485 interface:	✓
Memory card slot:	Micro SD memory cards up to 256GB support (possible local recording)
Image compression method:	H.265 / H.264 / H.264H / H.264B / MJPEG
Alarm inputs / outputs:	1 / 1
Audio:	<ul style="list-style-type: none"> • Audio input • Audio output • Bi-directional audio streaming support
Main stream frame rate:	25 fps @ 1280 x 960 25 fps @ 4 Mpx
Network interface:	10/100 Base-T (RJ-45)
Network protocols:	HTTPS, HTTP, TCP, ARP, RTSP, RTP, UDP, RTCP, SMTP, FTP, DHCP, DNS, DDNS, PPPoE, IPv4/IPv6, SNMP, QoS, UPnP, NTP
WEB Server:	Built-in, NVR compliance
Max. number of on-line users:	10
ONVIF:	✓
Mobile phones support:	Port 37777 <ul style="list-style-type: none"> • Android: Free application DMSS • iOS (iPhone): Free application DMSS
Default IP address:	192.168.1.108
Default admin user / password:	admin / - The administrator password should be set at the first start
Web browser access ports:	80, 37777
PC client access ports:	37777
Mobile client access ports:	37777
Port ONVIF:	80
RTSP URL:	rtsp://admin:haslo@192.168.1.108:554/cam/realmonitor?channel=1&subtype=0 - Main stream rtsp://admin:haslo@192.168.1.108:554/cam/realmonitor?channel=1&subtype=1 - Sub stream
Main features:	<ul style="list-style-type: none"> • The possibility of overlapping the image from a thermal imaging camera in a classic image - 3 Display modes • PIP - Picture In Picture • D-WDR - Wide Dynamic Range • ROI - improve the quality of selected parts of image • EIS - Electronic Image Stabilization • 2D-DNR, 3D-DNR - Digital Noise Reduction • F-DNR (Defog) - Reduction of image noise caused by precipitation • BLC/HLC - Back Light / High Light Compensation • Day/night mode • ICR - Movable InfraRed filter • AGC - Automatic Gain Control • WB - White Balance (ATW/AWB/manual/indoor/outdoor) • Motion Detection • Intelligent tracking of warmest / coldest point • IVS analysis : crossing the line (tripwire), intrusion, object detection (people, vehicle), fire detection, Smoke detection • Active deterrence function - Light and sound alarm • 6kV protection of the camera and its structure against the effects of lightning • Protection against electrostatic discharge - Contact/Air (ESD/EMP) : 8 / 15 kV
Housing:	Compact - Metal
Color:	White
"Index of Protection":	IP67



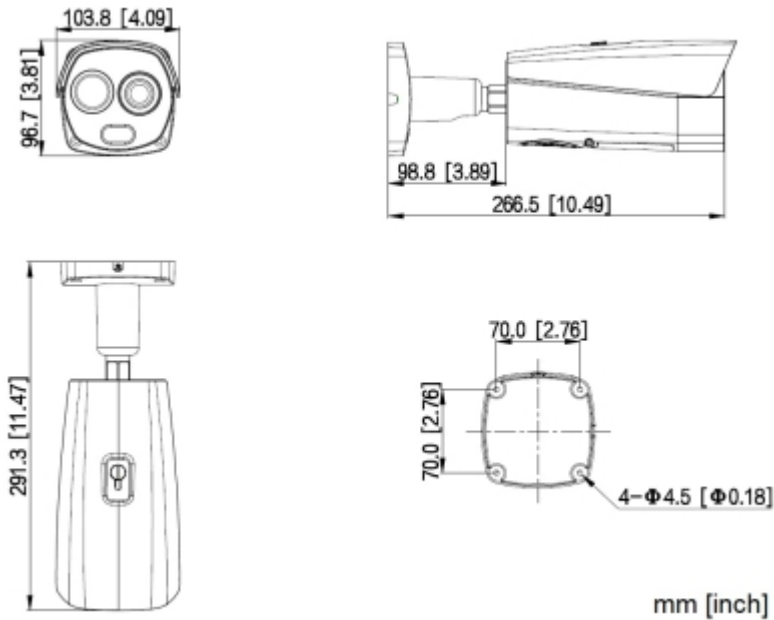
Power supply:	<ul style="list-style-type: none"> • ePoE, • PoE (802.3af), • 12 V DC / 1 A
Power consumption:	≤ 12 W
Operation temp:	-30 °C ... 60 °C
Weight:	1.4 kg
Dimensions:	96 x 104 x 280 mm
Supported languages:	English
Manufacturer / Brand:	DAHUA
Guarantee:	3 years

PRESENTATION

Side view:



Dimensions:



PACKAGE

Dimensions (L x W x H): 0x0x0 mm	Gross Weight: 0 kg
----------------------------------	--------------------