

Code: DS-2TD2628T-3/QA

IP HYBRID THERMAL IMAGING CAMERA **DS-2TD2628T-3/QA** 3.6 mm - 720p, 4.3 mm - 4 Mpx Hikvision

Net: **1 220.44 EUR** Gross: **1 220.44 EUR**

The DS-2TD2628T-3/QA Thermal Imaging Camera is a modern solution that allows to detect the presence of people, animals and vehicles regardless of prevailing vision conditions. The device is equipped with sensitive VOx microbolometer that allows to observe the objects in fog, smoke and in the absence of illumination.

An additional advantage of the DS-2TDxxxx series cameras is the ability to detect fire and send a signal to the alarm control panel when it occurs.



SPECIFICATION

Sensor:	Uncooled VOx microbolometer
Matrix size:	256 x 192 px
Pixel pitch:	12 μ m
Thermal sensitivity (NETD):	\leq 40 mK @ F1.0
Spectral range:	8 μ m ... 14 μ m
Color palettes:	✓
Lens:	3.6 mm
View angle:	50 °
Optical zoom:	—
Digital zoom:	2x, 4x
Resolution:	1280 x 720 - 720p , 704 x 576 640 x 512 320 x 240
Temperature measurement:	<ul style="list-style-type: none">• Spot• Line• Area max. 21 positions
Temperature measurement range:	-20 °C ... 550 °C
Accuracy of temperature measurement:	\pm 2 °C

VIDEO CAMERA:

Sensor:	1/2.7 " Progressive Scan CMOS
Matrix size:	4 Mpx
Lens:	4.3 mm
View angle:	84 °
Optical zoom:	—
Digital zoom:	—
Range of IR illumination:	30 m

DELTA-OPTI Monika Matysiak; <https://www.delta.poznan.pl>
POL; 60-713 Poznań; Graniczna 10
e-mail: delta-opti@delta.poznan.pl; tel: +(48) 61 864 69 60

White light LED illuminator range:	30 m
Resolution:	2688 x 1520 - 4 Mpx 1920 x 1080 - 1080p 1280 x 720 - 720p
General information:	
Standard:	IP
Video output:	CVBS, SPOT output : 1.0 Vpp / 75 Ω
RS-485 interface:	✓
Memory card slot:	Micro SD memory cards up to 256GB support (possible local recording)
Image compression method:	H.265 / H.264 / MJPEG
Alarm inputs / outputs:	2 / 2
Audio:	<ul style="list-style-type: none"> • External microphone input / Audio input, • Audio output, • Bi-directional audio streaming support, • Speaker built-in
Main stream frame rate:	25 fps @ 4 Mpx
Network interface:	10/100 Base-T (RJ-45)
WEB Server:	Built-in
Max. number of on-line users:	32
ONVIF:	✓
Mobile phones support:	Port no.: 8000 or access by a cloud (P2P) <ul style="list-style-type: none"> • Android: Free application Hik-Connect • iOS: Free application Hik-Connect
Default IP address:	192.168.1.64
Default admin user / password:	admin / - The administrator password should be set at the first start
Web browser access ports:	80
PC client access ports:	Port no.: 8000 or access by a cloud (P2P) - iVMS-4200 application
Mobile client access ports:	8000
Port ONVIF:	80
RTSP URL:	<ul style="list-style-type: none"> • Main stream VIDEO CAMERA : rtsp://user:password@192.168.1.64:554/Streaming/Channels/101/ THERMAL IMAGING CAMERA : rtsp://user:password@192.168.1.64:554/Streaming/Channels/201/ • Sub stream VIDEO CAMERA : rtsp://user:password@192.168.1.64:554/Streaming/Channels/102/ THERMAL IMAGING CAMERA : rtsp://user:password@192.168.1.64:554/Streaming/Channels/202/
Intelligent image analysis:	<ul style="list-style-type: none"> • IVS analysis : crossing the line (tripwire), intrusion, detection of entry into the area / exit from the area • object detection (people, vehicle) • fire detection • Smoke detection



Main features:	<ul style="list-style-type: none"> • WDR - 120 dB - Wide Dynamic Range • 3D-DNR - Digital Noise Reduction • AGC - Automatic Gain Control • DDE (Digital Detail Enhancement) - the function automatically optimizes the contrast of the thermal image in high-dynamic scenes - small differences in the temperature distribution of the examined object are highlighted • Sun-reflection filter • Temperature measurement • Intelligent alarm linked to turning on white light and loudspeaker • NAS - Network Attached Storage support - allows to connect memory resources directly to the computer network • The ANR (Automatic Network Replenishment) function - ensures integrity of recording data in the event of network failures. It bases on automatic saving the recording data to microSD card inserted inside the camera, and after failure is end, the recorded data are automatically synchronized with the recorder
Protections:	<ul style="list-style-type: none"> • Protection against lightning discharges : 4 kV • Overvoltage limiter, Overvoltage protection
Power supply:	<ul style="list-style-type: none"> • PoE (802.3af), • 12 V DC, • 24 V AC
Power consumption:	≤ 8.5 W
Housing:	Compact - Metal
Color:	White
"Index of Protection":	IP67
Mechanical protection class:	IK10
Operation temp:	-40 °C ... 65 °C
Weight:	1.76 kg
Dimensions:	358.3 x 113.5 x 115.2 mm
Supported languages:	Polish, English, Bulgarian, Croatian, Czech, Danish, Estonian, Finnish, French, Greek, Spanish, Dutch, Lithuanian, Latvian, German, Norwegian, Portuguese, Russian, Romanian, Serbian, Slovak, Slovenian, Swedish, Turkish, Hungarian, Italian
Manufacturer / Brand:	Hikvision
SAP Code:	305401691
Guarantee:	3 years

PRESENTATION

Side view:



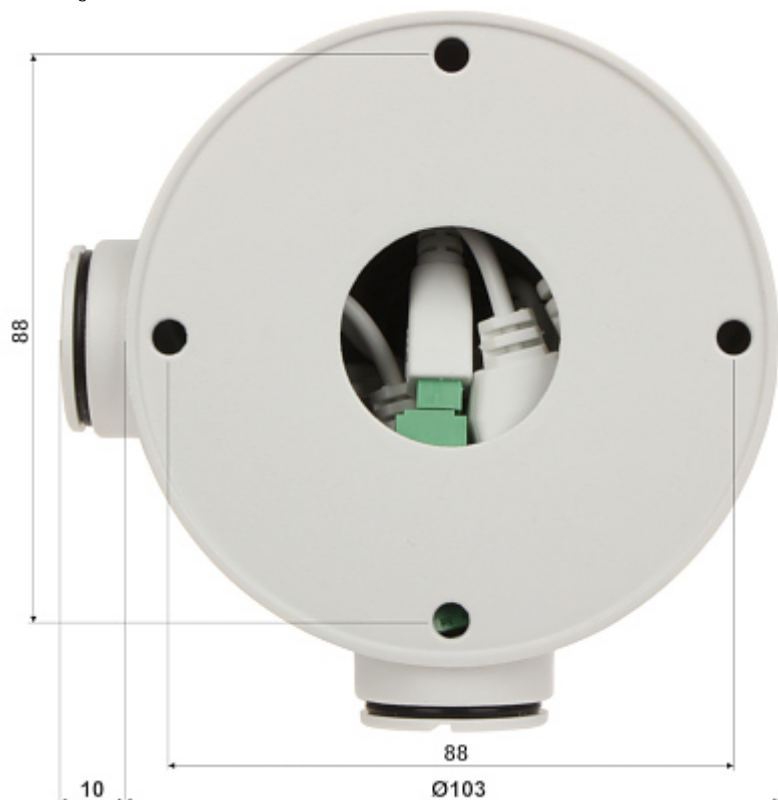
Bottom view:



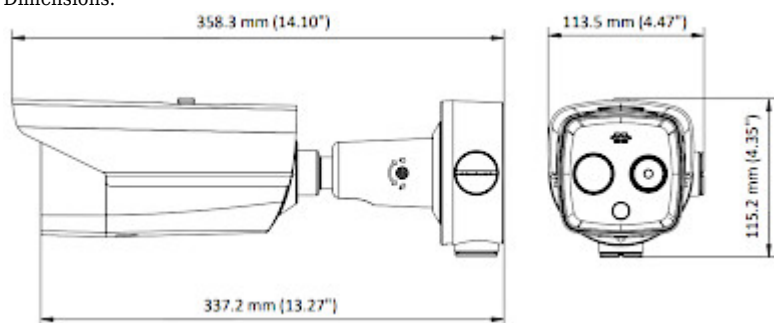
DELTA-OPTI Monika Matysiak; <https://www.delta.poznan.pl>
 POL; 60-713 Poznań; Graniczna 10
 e-mail: delta-opti@delta.poznan.pl; tel: +(48) 61 864 69 60



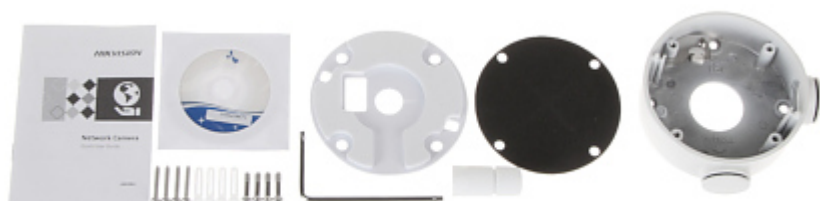
Mounting side view:



Dimensions:



In the kit:



PACKAGE

Dimensions (L x W x H): 0x0x0 mm	Gross Weight: 0 kg
----------------------------------	--------------------

