

Code: TOL-32

SATELLITE OPTICAL LNB TOL-32

Net: 251.13 AUD Gross: 251.13 AUD

The TOL-32 Optical Satellite LNB is a high performance universal LNB, working in 1310 nm window, provides a wideband optical output where all four polarities are stacked into one frequency range 950-5450 MHz. Using modern laser technology satellite frequency range can be transmitted via a single fiber over a very large distance, and next can sustain splitting into max. 32 groups. This allows a system setup that can drive a Passive Optical Network (PON) before the signal is finally fed into a number of virtual converters for traditional coax distribution. The device is powering via coaxial cable.



SPECIFICATION

Input frequency:	10.7 GHz ... 12.75 GHz
Polarization:	Vertical / Horizontal
Optical output power:	6.5 dBm
Optical power budget:	max. 19 dB (PON)
Optical signal splitting:	max. x32 (PON)
LNB type:	Universal LNB, full-band
Optical connector type:	FC/PC
Power supply:	12 V DC / 450 mA (power adapter included) The device is powering via coaxial cable
Weight:	0.44 kg
Dimensions:	175 x 69 x 110 mm
Guarantee:	2 years

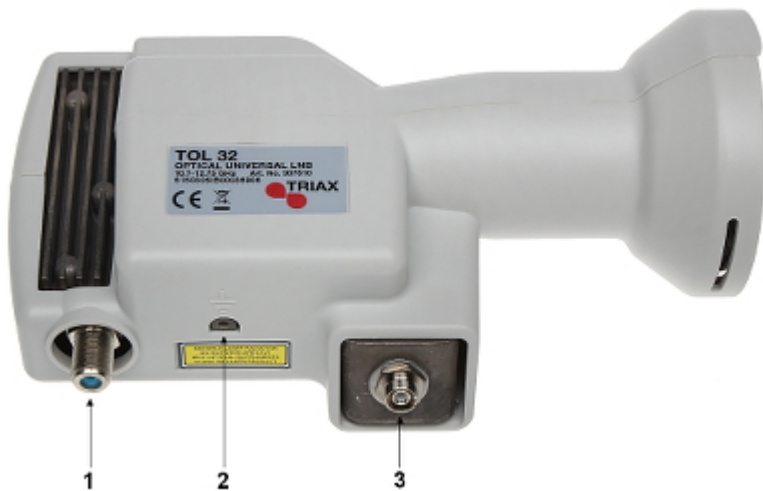
PRESENTATION

Side view:



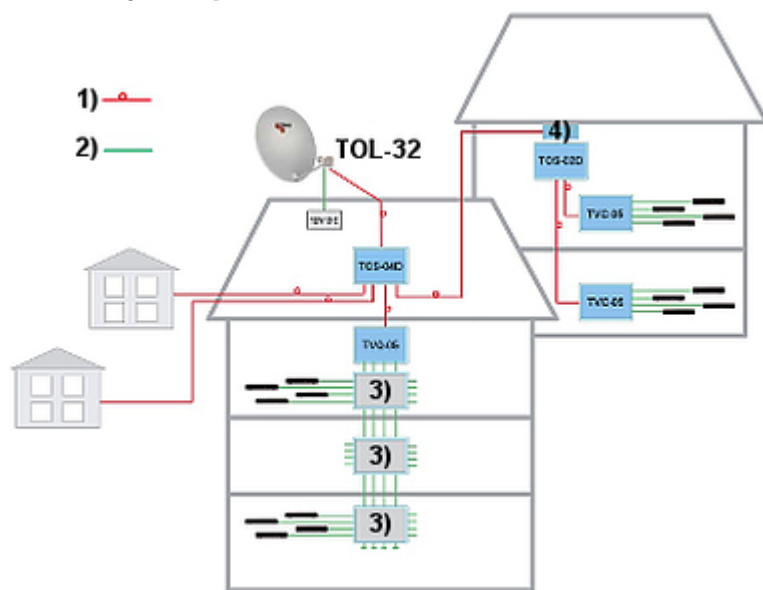
Bottom view:

DELTA-OPTI Monika Matysiak; <https://www.delta.poznan.pl>
POL; 60-713 Poznań; Graniczna 10
e-mail: delta-opti@delta.poznan.pl; tel: +(48) 61 864 69 60



- 1) Power supply
- 2) Grounding
- 3) FC/PC optical output

Schematic diagram of optical transmission:



- 1) Fiber optic
 - 2) Coaxial cable
 - 3) Multiswitch
 - 4) Attenuator
- In the kit:



PACKAGE

Dimensions (L x W x H): 0x0x0 mm	Gross Weight: 0 kg
----------------------------------	--------------------

