

Code: APTI-25C2-36W

IP CAMERA **APTI-25C2-36W** - 1080p 3.6 mm

Net: **80.06 EUR** Gross: **80.06 EUR**

IP camera with efficient H.264 image compression algorithm for clear and smooth video streaming at maximal resolution of 1080p (2.4 MPx). Very easy operation by Internet Explorer browser allows the users to convenient and remote support, and also remote management of the camera. Included camera software enables management and integrated monitoring of many network cameras. Its using allows to create large surveillance system.

ICR - The movable IR filter allows to perfect colors reproduction in daylight and wide gray-scale with high sharpness of the image at night mode. Camera bracket allows to adjust the camera to any direction, and power cables are hidden inside the bracket.



SPECIFICATION

Standard:	TCP/IP
Digital Image Processor:	DSP AMBARELLA A5S66
Sensor:	1/2.8 " Sony CMOS IMX322
Matrix size:	2.4 Mpx
Resolution:	1920x1080 - 1080p
Lens:	3.6 mm, 3 Mpx
View angle:	<ul style="list-style-type: none">• 75 ° (manufacturer data)• 82 ° (our tests result)
S/N ratio:	> 50 dB
Range of IR illumination:	20 m
IR illuminator power adjustment:	Automatic
Compression:	H.264
Bitrate:	64 ... 12000 kbps
Main stream frame rate:	max. 25 fps - 1080p
Network interface:	10/100 Base-T (RJ-45)
Alarm inputs / outputs:	—
Network protocols:	RTSP, FTP, DDNS, NTP, TCP
Audio:	—
WEB Server:	Built-in - port 80
Max. number of on-line users:	3
ONVIF:	2.4 - port 80
RS-485 interface:	—
Mobile phones support:	Available applications for mobile systems: iPhone, Android, Windows Mobile, Blackberry, Symbian

DELTA-OPTI Monika Matysiak; <https://www.delta.poznan.pl>
POL; 60-713 Poznań; Graniczna 10
e-mail: delta-opti@delta.poznan.pl; tel: +(48) 61 864 69 60

Main features:	<ul style="list-style-type: none"> • ICR - Movable InfraRed filter • 3D-DNR - Digital Noise Reduction • Possibility to change the resolution, quality and bit rate • Motion Detection • Privacy zones • Configurable: brightness, contrast, saturation • Sharpness - sharper image outlines • Mirror - Mirror image • Day/night mode
Power supply:	12 V DC / 360 mA
Housing:	Metal
Color:	White
"Index of Protection":	IP66
Operation temp:	-20 °C ... 55 °C
Weight:	0.305 kg
Dimensions:	Ø 67 x 133 mm
Supported languages:	English
Manufacturer / Brand:	APTI
Guarantee:	2 years

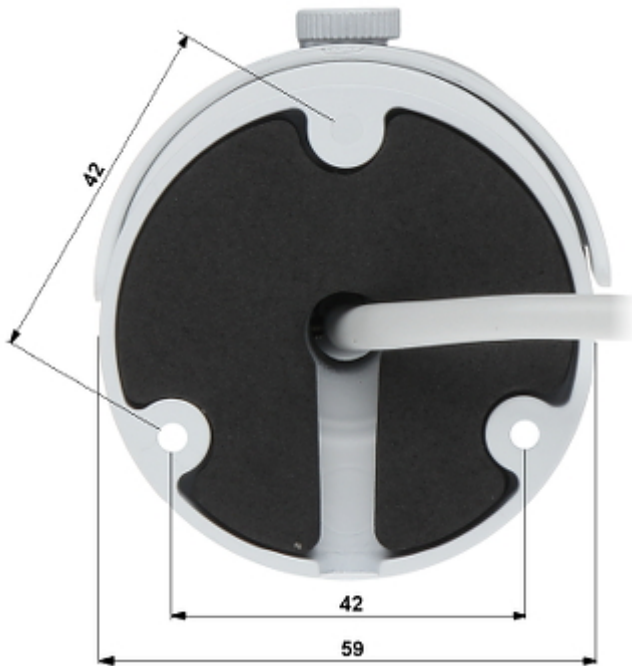
PRESENTATION



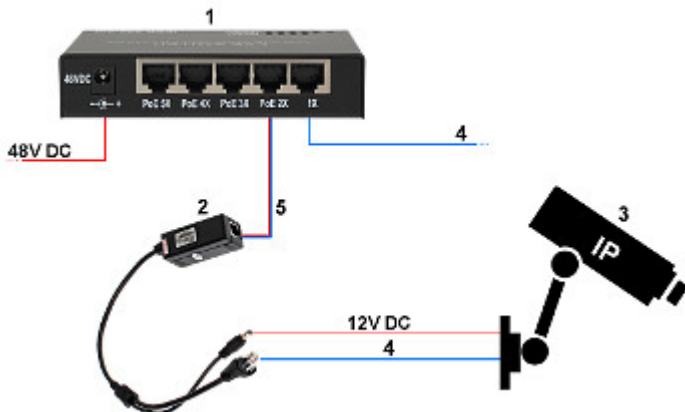
Side view:



Bracket dimensions:



See how you can power the camera in PoE standard:



- 1. SWITCH PoE
 - 2. POE-802.3AF/C
 - 3. IP Camera
 - 4. Ethernet
 - 5. Ethernet + PoE
- In the kit:



OUR TESTS

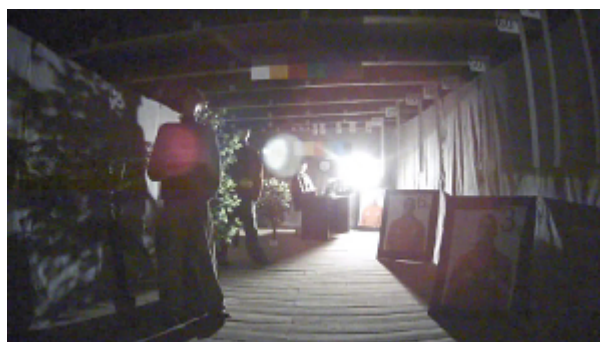
Camera image at artificial illumination (about 30Lux):



Camera image at night conditions with internal built-in IR illuminator on:



Camera image at direct strong light opposite to camera:



OUR OPINIONS



- Very good image at Full HD quality.

DELTA-OPTI Monika Matysiak; <https://www.delta.poznan.pl>
POL; 60-713 Poznań; Graniczna 10
e-mail: delta-opti@delta.poznan.pl; tel: +(48) 61 864 69 60

- Small dimensions of the camera.

PACKAGE

Dimensions (L x W x H): 0x0x0 mm	Gross Weight: 0 kg
----------------------------------	--------------------

