

Code: RAS-R2

## DRAWER **RAS-R2** TO RACK CABINET PULSAR

Net: **57.01 EUR** Gross: **57.01 EUR**

The RAS-R2 lockable drawer designed for mounting in RACK 19" cabinets. The drawer can be used successfully to store documentation, spare wires, or small tools.



### SPECIFICATION

Width:	19 "
Height:	2 U
Internal depth:	330 mm
Mount:	two-point
Application:	Rack 19" - depth $\geq$ 360 mm
Main features:	<ul style="list-style-type: none"><li>• Shelf slides out up to 260 mm from the front mounting rails</li><li>• The drawer is locked with a key lock</li></ul>
Dimensions:	<ul style="list-style-type: none"><li>• 400 x 63 x 330 mm - Internal dimensions</li><li>• 482 x 88 x 360 mm - External dimensions</li></ul>
Weight:	6.09 kg
Manufacturer / Brand:	PULSAR
Guarantee:	2 years

### PRESENTATION

Front view:



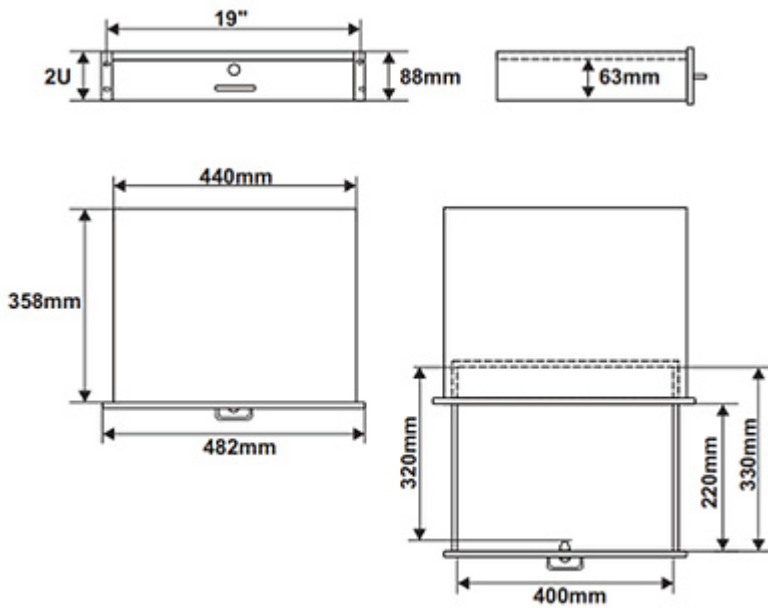
Side view:



Rear view:



Dimensions:



In the kit:



**PACKAGE**

Dimensions (L x W x H): 0x0x0 mm	Gross Weight: 0 kg
----------------------------------	--------------------



DELTA-OPTI Monika Matysiak; <https://www.delta.poznan.pl>  
POL; 60-713 Poznań; Graniczna 10  
e-mail: [delta-opti@delta.poznan.pl](mailto:delta-opti@delta.poznan.pl); tel: +(48) 61 864 69 60