

Code: TR-4P

VIDEO BALUN TR-4P

Net: 93.12 PLN Gross: 93.12 PLN

The TR-4P is designed to video signal transmission via twisted-pair cable. The device adapts the impedance of coaxial cable 75Ω to the impedance of symmetrical line, ensuring transmission of video signal up to 400m (twisted-pair cable category 5) and eliminates asymmetric interferences.

It is important to pay attention to linking the adequate terminals: (+) and (-). Reverse connection would cause distortion of image.

Designed to AHD, CVI, TVI, PAL cameras.



SPECIFICATION

Standard:	<ul style="list-style-type: none">• AHD - 5 Mpx,• HD-CVI - 8 Mpx 4K UHD,• HD-TVI - 8 Mpx 4K UHD,• CVBS - PAL, NTSC
Device type:	Passive
Number of channels:	4 pcs Video
Video transmission range:	<ul style="list-style-type: none">• 250 m @ 720p - UTP cat. 5e• 150 m @ 1080p - UTP cat. 5e• 400 m @ CVBS - PAL, NTSC - UTP cat. 5e
Coaxial socket voltage range 75Ω (CVBS):	1 Vpp
Attenuation:	<ul style="list-style-type: none">• 4.43 MHz @ 0.73 dB• 11 MHz @ 1.24 dB• 21 MHz @ 2.16 dB• 38 MHz @ 3.35 dB• 42 MHz @ 3.54 dB• 67.5 MHz @ 3.72 dB
Isolation between inputs:	> -50 dB
Manufacturer / Brand:	DELTA
CMRR (dB @ 5MHz):	50 dB
Coaxial socket impedance:	75 Ω
Symmetrical socket impedance:	100 Ω
Coaxial socket type:	4 x BNC Straight socket
Symmetrical socket type:	Cable terminals / RJ-45 (8-pin, 4 pairs) Socket
Operation temp:	-50 °C ... 55 °C
Permissible relative humidity:	< 95 %
Weight:	0.105 kg
Dimensions:	120 x 30 x 62 mm

DELTA-OPTI Monika Matysiak; <https://www.delta.poznan.pl>
POL; 60-713 Poznań; Graniczna 10
e-mail: delta-opti@delta.poznan.pl; tel: +(48) 61 864 69 60

PRESENTATION

Front view:



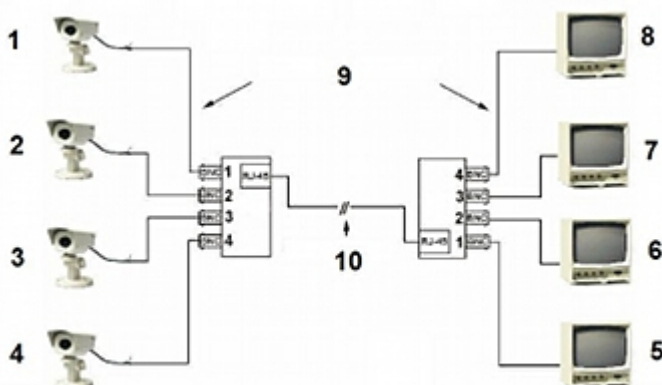
Rear view:



Top view:



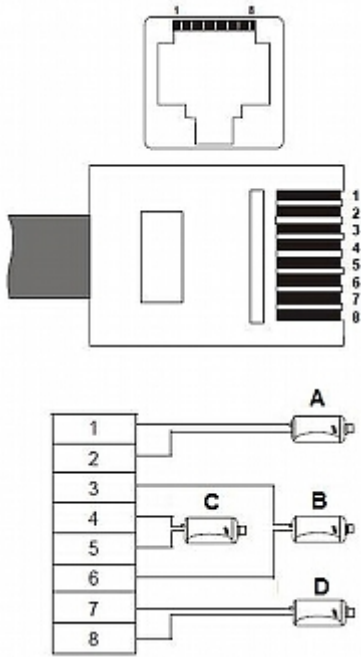
Example application for CVBS/PAL cameras:



- 1) Camera 1
- 2) Camera 2
- 3) Camera 3
- 4) Camera 4
- 5) Monitor 1
- 6) Monitor 2

- 7) Monitor 3
- 8) Monitor 4
- 9) Coaxial cable 75Ω
- 10) Twisted-pair cable

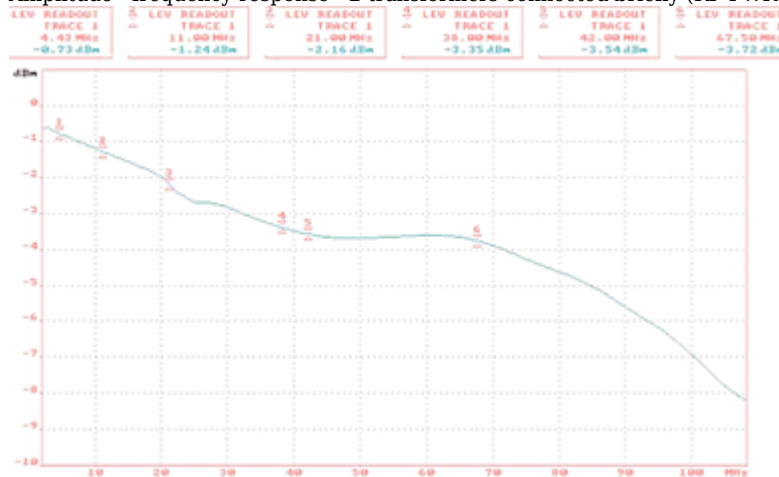
Wiring sequence inside the RJ-45 plug. Plug wiring sequence is consistent with the T568B standard:



- 1) White/Orange - camera No.1 signal (+)
- 2) Orange - camera No.1 signal (-)
- 3) white/green - camera no.2 (+) signal
- 4) blue - camera no. 3 (-) signal
- 5) white/blue - camera no. 3 (+) signal
- 6) green - camera no. 2 (-) signal
- 7) white/brown - camera no. 4 (+) signal
- 8) brown - camera no. 4 (-) signal
- A) Camera 1
- B) Camera 2
- C) Camera 3
- D) Camera 4

OUR TESTS

Amplitude - frequency response - 2 transformers connected briefly (RF PWR OUT = 0 dBm):



OUR OPINIONS



- o A very important issue is that the mass signals are isolated from each other!

- **Lifetime warranty.**

PACKAGE

Dimensions (L x W x H): 0x0x0 mm	Gross Weight: 0 kg
----------------------------------	--------------------

