

Code: TR-WE45-A-IN

CAMERA BRACKET **TR-WE45-A-IN** UNIVIEW

Net: **690.69 NOK** Gross: **690.69 NOK**



For outdoor use.

SPECIFICATION

Suitable for cameras:	UNIVIEW
Material:	Aluminum alloy
Color:	White
Weight:	1.16 kg
Dimensions:	314 x 141 x 216 mm
Manufacturer / Brand:	UNIVIEW
Guarantee:	3 years

PRESENTATION

Side view:



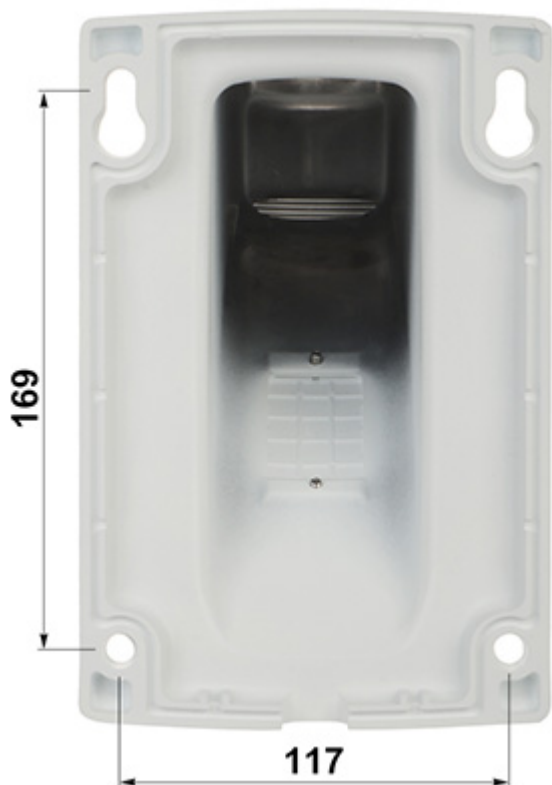
DELTA-OPTI Monika Matysiak; <https://www.delta.poznan.pl>
POL; 60-713 Poznań; Graniczna 10
e-mail: delta-opti@delta.poznan.pl; tel: +(48) 61 864 69 60



Bottom view:

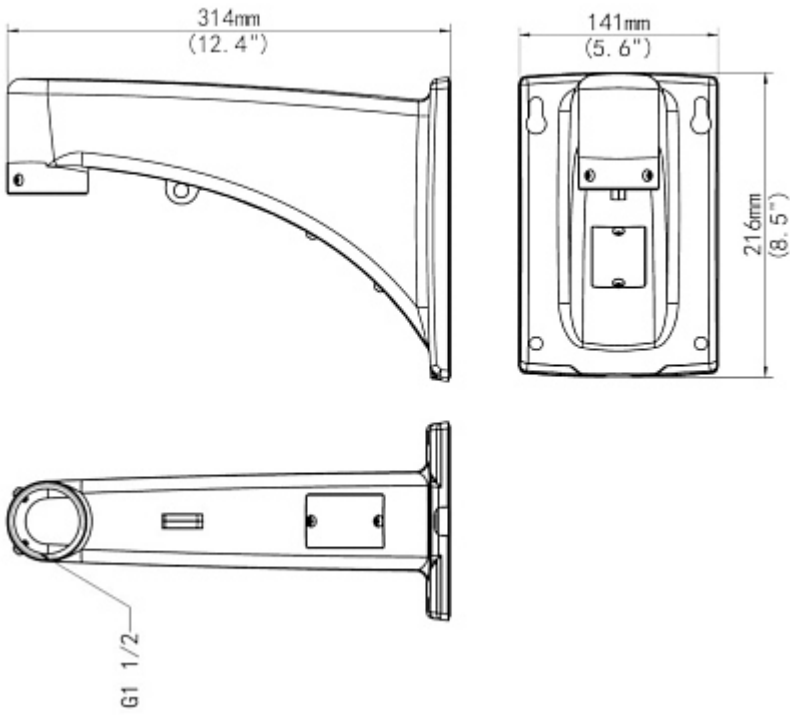


Wall mounting side view:



Dimensions:





In the kit:



PACKAGE

Dimensions (L x W x H): 0x0x0 mm	Gross Weight: 0 kg
----------------------------------	--------------------

