

Code: ARD912-W2(868D)

WIRELESS FLOOD DETECTOR **ARD912-W2(868D)** DAHUA

Net: 294.00 PLN Gross: 294.00 PLN

The ARD912-W2(868D) detector is designed to detecting the presence of water using the supplied flood sensor in spaces where there is a risk of leakage.

The ARD912-W2(868D) supports the other devices compatible with wireless DAHUA system.



SPECIFICATION

| | |
|---|---|
| Support: | Wireless alarm systems DAHUA |
| Detection: | Water |
| Alarm signaling: | <ul style="list-style-type: none">• LED indicator,• Signal to control panel |
| Frequency range: | 868.0 ... 868.6 MHz |
| Radio communication range (at open area): | max. 1200 m |
| Alarm inputs: | — |
| Power supply: | 1 x battery CR123A 3 V (included) |
| Backup time: | ~ 3 years |
| Current consumption: | max. 48 mA |
| Main features: | <ul style="list-style-type: none">• detecting the presence of water in spaces where there is a risk of leakage• Digital detector• Bidirectional communication• AES-128 data encryption• Frequency hopping against jamming for reliable transmission• Remote management• Sensitivity adjustment• Cloud update• Low battery level alarm• Temperature measurement / thermal protection• ON/OFF button• LED indicator• "Index of Protection" : IPX5 |
| Color: | White |
| Operation temp: | -10 °C ... 55 °C |
| Weight: | 0.13 kg (total) |
| Dimensions: | <ul style="list-style-type: none">• Ø 85 x 29 mm (Transmitter)• Ø 85 x 20 mm (Probe)• 1 m (cable length) |
| Manufacturer / Brand: | DAHUA |

DELTA-OPTI Monika Matysiak; <https://www.delta.poznan.pl>
POL; 60-713 Poznań; Graniczna 10
e-mail: delta-opti@delta.poznan.pl; tel: +(48) 61 864 69 60

Guarantee:

3 years

PRESENTATION

Bottom view:



Probe:



Internal view of the housing:



Probe:

DELTA-OPTI Monika Matysiak; <https://www.delta.poznan.pl>
POL; 60-713 Poznań; Graniczna 10
e-mail: delta-opti@delta.poznan.pl; tel: +(48) 61 864 69 60

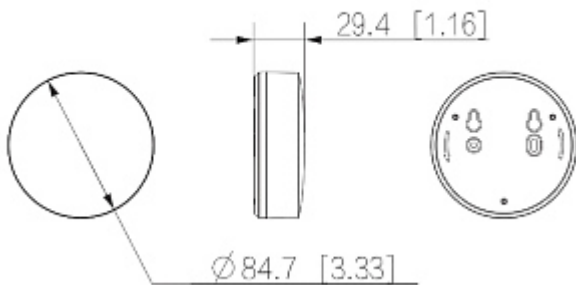
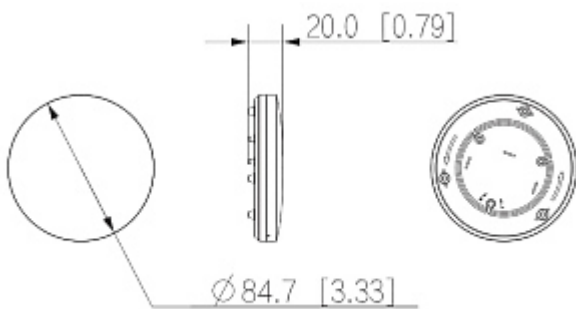


Transmitter:





Dimensions:



In the kit:



PACKAGE

| | |
|----------------------------------|--------------------|
| Dimensions (L x W x H): 0x0x0 mm | Gross Weight: 0 kg |
|----------------------------------|--------------------|