

Code: OPAL-PRO-GY

## DUAL TECHNOLOGY DETECTOR MICROWAVE + PIR **OPAL-PRO-GY SATEL**

Net: **506.00 PLN** Gross: **506.00 PLN**

Digital dual technology detector equipped with PIR and microwave detection.  
The OPAL-PRO-GY detector design meets the requirements of the EN 50131-2-4, Grade 3 standard. Thanks to this, this device can be used to protect the interior of objects which are particularly prone to burglary, where high degree of protection is required, among others in jewelry stores and in public buildings. Thanks to this, this device can be used to protect the interior of objects which are particularly prone to burglary, where high degree of protection is required, among others in jewelry stores and in public buildings.  
The OPT-1 remote controller support. (Attention: remote controller is available to buy as a separate item).



### SPECIFICATION

Application:	Outdoor
Pyroelectric sensor:	Double
Sensor type:	Passive Infra Red (PIR) and microwave (MW)
Recommended installation height:	2.4 m
Range:	max. 12 x 15 m
Detection angle:	100 °
Sensitivity adjustment:	16-step - Control using the keys, Remote control
Alarm output:	NC
LED indication:	<ul style="list-style-type: none"><li>• 4 s Green - MW detector</li><li>• 2 s Red - Alarm signaling</li><li>• 4 s Yellow - PIR detector</li></ul>
Tamper output:	NC
Microwave frequency band:	24 GHz
Pet immunity:	≤ 20 kg
Antimask feature:	Active IR Anti-Masking
Alarm time:	2 s
Maximal outputs load:	<ul style="list-style-type: none"><li>• 40 mA / 16 V DC - Relay output</li><li>• 50 mA / 12 V DC - Day/night mode, OC</li></ul>
Digital temperature compensation:	✓

DELTA-OPTI Monika Matysiak; <https://www.delta.poznan.pl>  
POL; 60-713 Poznań; Graniczna 10  
e-mail: [delta-opti@delta.poznan.pl](mailto:delta-opti@delta.poznan.pl); tel: +(48) 61 864 69 60

Protection class (Grade):	EN 50131-2-4, Grade 3
Environmental class EN 50130-5:	IIIa
Power supply:	12 V DC / 20 mA
Operation temp:	-40 °C ... 55 °C
Target speed range:	0.3 ... 3 m/s
Color:	Gray
Main features:	<ul style="list-style-type: none"> <li>• "Index of Protection" - IP54</li> <li>• EN 50130-4, EN50130-5, EN 50131-1, EN 50131-2-4</li> <li>• digital detection algorithm with temperature compensation for high immunity to false alarms and repeatability of parameters</li> <li>• Immunity to environmental changes</li> <li>• Creep zone control</li> <li>• Tamper detection - opening the enclosure, removing from mounting surface</li> <li>• Twilight Sensor - Open Collector output (OC),</li> <li>• Remote management</li> </ul>
Weight:	0.180 kg
Dimensions:	139 x 65 x 58 mm
Manufacturer / Brand:	SATEL
Guarantee:	2 years

## PRESENTATION

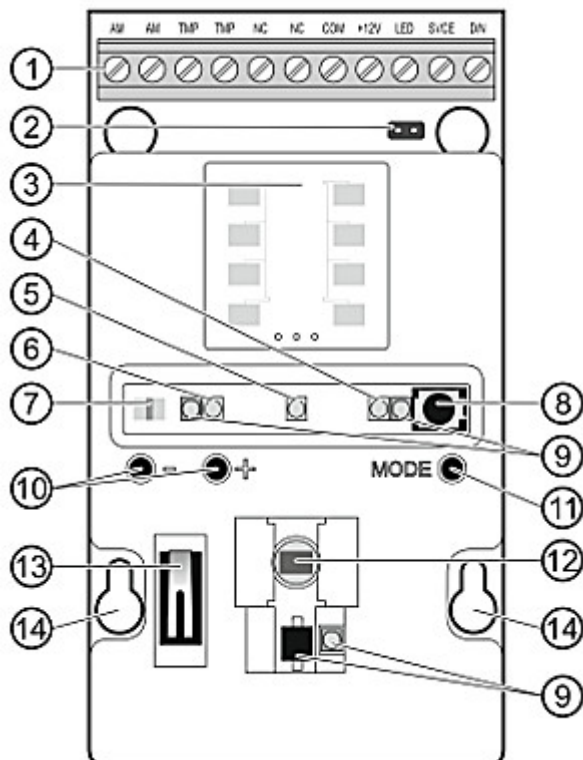
Internal view:



Connectors:



Description of particular elements of the device:

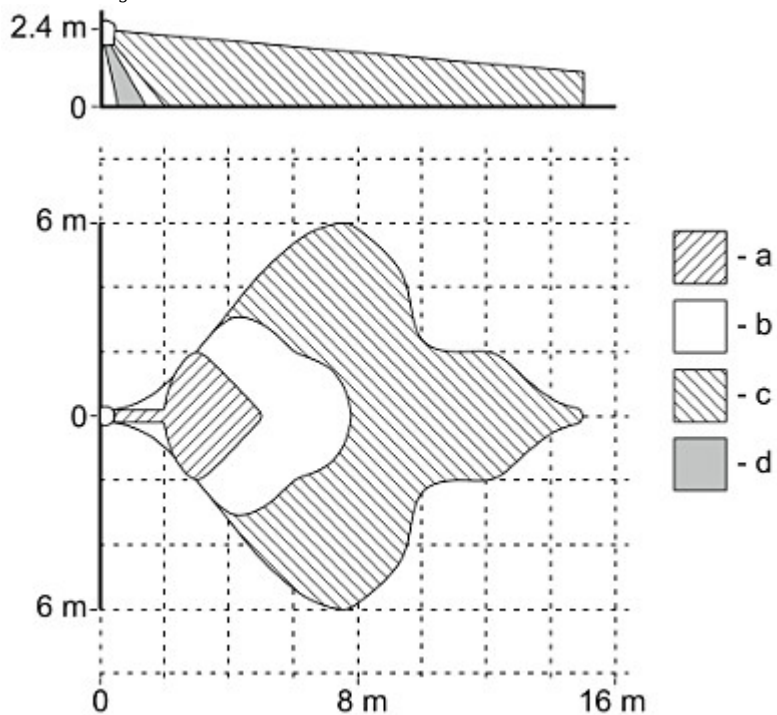


- 1. cable terminals
- 2. LED indication settings
- 3. MW detector
- LED diodes
- 4. Yellow
- 5. Red
- 6. green
- 7. Twilight Sensor
- 8. IR receiver
- 9. Anti-masking system diodes
- 10. Manual configuration buttons
- 11. Manual configuration buttons
- 12. pyroelectric sensor
- 13. tamper contact

14. Mounting holes  
 Mounting side view:



Detector range:



- a - Min.
- b - Default
- c - Max.
- d - Creep zone

**PACKAGE**

Dimensions (L x W x H): 0x0x0 mm	Gross Weight: 0 kg
----------------------------------	--------------------



DELTA-OPTI Monika Matysiak; <https://www.delta.poznan.pl>  
 POL; 60-713 Poznań; Graniczna 10  
 e-mail: delta-opti@delta.poznan.pl; tel: +(48) 61 864 69 60