

Code: PMT-12V100W1AA

SWITCHING ADAPTER **PMT-12V100W1AA** Delta Electronics

Net: **82.00 PLN** Gross: **82.00 PLN**

Power adapter with two pairs of output terminals.
Please pay attention for proper cooling conditions of the power adaptor during work! Inside Rack cabinets and at poor conditioning places we recommend to use together with adaptor the following elements: A19-W12 Rack Fan and FR-1 Fan Speed Control.



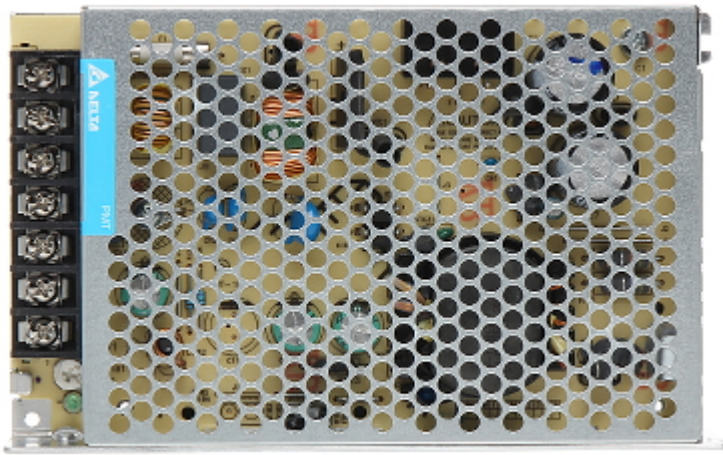
SPECIFICATION

Adapter type:	Switching
Power voltage:	selectable by switch • 90 V ... 132 V AC, • 180 V ... 264 V AC
Output voltage:	12 V DC
Output voltage adjustment:	11.4 ... 13.2 V
Maximal load:	8.5 A
Output power:	102 W
Number of outputs:	2 pcs
Protections:	<ul style="list-style-type: none">• Short-circuit• Overload• Overvoltage• Temperature
MTBF (Mean Time Between Faults):	> 700000 h
Operation temp. / Relative humidity:	-10 °C ... 70 °C / 20 % ... 90 %
Weight:	0.365 kg
Dimensions:	158 x 97 x 38 mm
Manufacturer / Brand:	Delta Electronics
Guarantee:	5 years

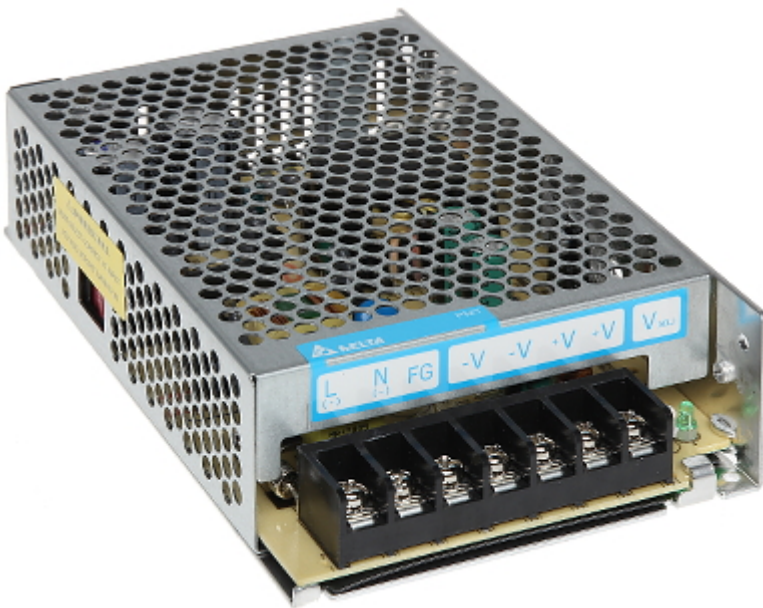
PRESENTATION

Top view:

DELTA-OPTI Monika Matysiak; <https://www.delta.poznan.pl>
POL; 60-713 Poznań; Graniczna 10
e-mail: delta-opti@delta.poznan.pl; tel: +(48) 61 864 69 60



Adapter connectors:



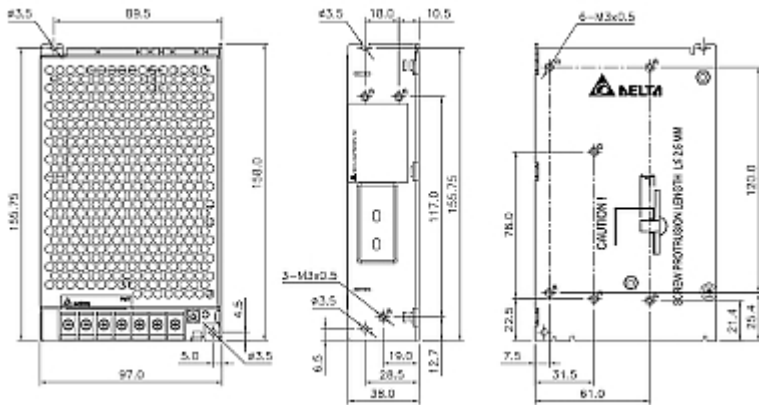
L - Live wire (230V)
N - Neutral wire
FG - Grounding
-V - DC "-" output
+V - DC "+" output
ADJ - Output voltage adjustment

Input voltage switch:



Dimensions:

DELTA-OPTI Monika Matysiak; <https://www.delta.poznan.pl>
POL; 60-713 Poznań; Graniczna 10
e-mail: delta-opti@delta.poznan.pl; tel: +(48) 61 864 69 60



PACKAGE

Dimensions (L x W x H): 0x0x0 mm	Gross Weight: 0 kg
----------------------------------	--------------------

