

Code: PD-23

PROJECTOR MOUNT PD-23

Net: 56.40 PLN Gross: 56.40 PLN

The PD-23 is designed to mount the multimedia projector. The mount enables easy tilt adjustment and horizontal rotation. Possibility to mount under slanted ceiling.
Maximal load capacity is 10 kg. It should be mounted on the surface, which construction has to carry the required load, including a wide margin of safety.

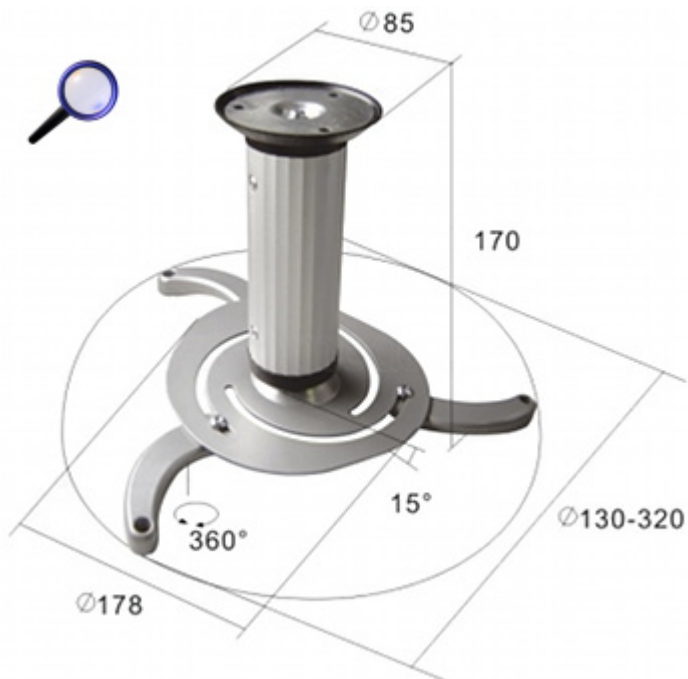


SPECIFICATION

Bearing capacity:	10 kg
Distance from mounting surface:	170 mm from ceiling
Projector mounting holes distances:	Ø 130 ... 320 mm
Color:	Silver
Tilt adjustment:	-15 ° ... 15 °
Horizontal rotation:	360 °
Dimensions:	max. Ø 320
Weight:	1.32 kg
Guarantee:	2 years

PRESENTATION

Bracket dimensions:



In the kit:



Package:



PACKAGE

Dimensions (L x W x H): 0x0x0 mm	Gross Weight: 0 kg
----------------------------------	--------------------

DELTA-OPTI Monika Matysiak; <https://www.delta.poznan.pl>
 POL; 60-713 Poznań; Graniczna 10
 e-mail: delta-opti@delta.poznan.pl; tel: +(48) 61 864 69 60