

Code: BRATECK-LDA05-220

TV OR MONITOR MOUNT **BRATECK-LDA05-220**

Net: 29.92 PLN Gross: 29.92 PLN

The BRATECK-LDA05-220 mount is intended for hanging a TV or LCD / OLED monitor on the wall. The mount enables easy tilt adjustment and horizontal rotation. It is possible to rotate the plane of the screen 360°. Maximal load capacity is 25 kg.



SPECIFICATION

Mounting standard:	VESA 75, 100, 200, 200x100
Screen size range:	17 " ... 37 "
Bearing capacity:	25 kg
Distance from mounting surface:	58 mm from wall
Color:	Black
Tilt adjustment:	-15 ° ... 15 °
Horizontal rotation:	-25 ° ... 25 °
Rotation in the plane of the screen:	360 °
Dimensions:	230 x 230 x 61 mm
Weight:	1.1 kg
Guarantee:	2 years

PRESENTATION

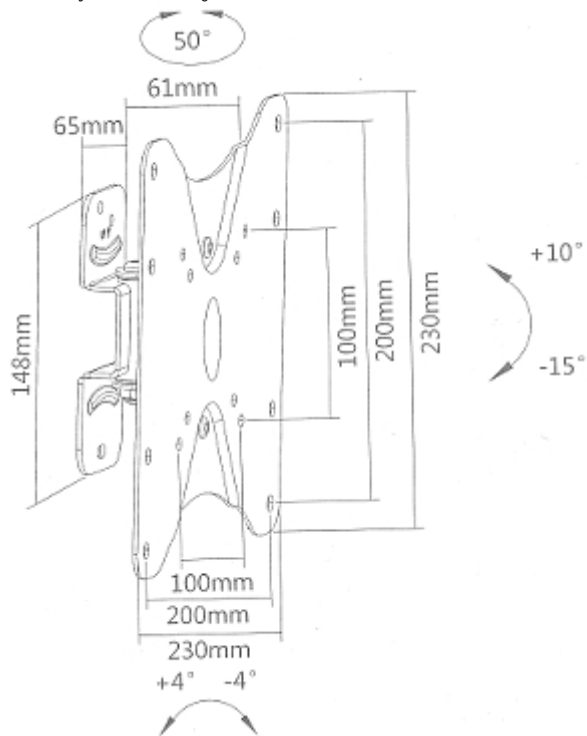
Wall mounting side view:



DELTA-OPTI Monika Matysiak; <https://www.delta.poznan.pl>
POL; 60-713 Poznań; Graniczna 10
e-mail: delta-opti@delta.poznan.pl; tel: +(48) 61 864 69 60



Possibility of mount adjustment:



In the kit:



Package:



PACKAGE

Dimensions (L x W x H): 0x0x0 mm	Gross Weight: 0 kg
----------------------------------	--------------------