

Code: BS-106S

## TV OR MONITOR MOUNT **BS-106S**

Net: **13.26 AUD** Gross: **13.26 AUD**



The BS-106S mount is intended for hanging a TV or LCD / OLED monitor on the wall. The bracket is equipped with built-in bubble level tool, which enables precise and quick installation. It should be mounted on the surface, which construction has to carry the required load, including a wide margin of safety. Maximal load capacity is 45 kg.

### SPECIFICATION

Mounting standard:	VESA : 75, 100, 200, 400 x 200
Screen size range:	23 " ... 42 "
Bearing capacity:	45 kg
Distance from mounting surface:	19 mm from wall
Color:	Black
Tilt adjustment:	—
Horizontal rotation:	—
Rotation in the plane of the screen:	—
Dimensions:	455 x 260 x 19 mm
Weight:	1.45 kg
Guarantee:	2 years

### PRESENTATION

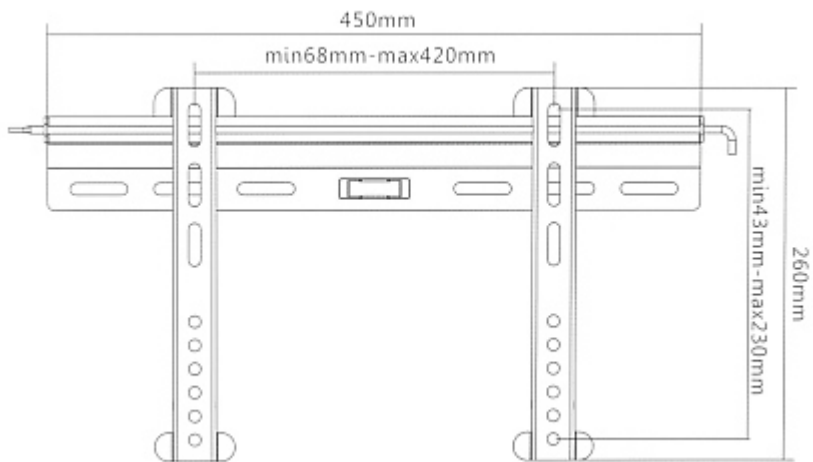
DELTA-OPTI Monika Matysiak; <https://www.delta.poznan.pl>  
POL; 60-713 Poznań; Graniczna 10  
e-mail: [delta-opti@delta.poznan.pl](mailto:delta-opti@delta.poznan.pl); tel: +(48) 61 864 69 60



Wall mounting side view:



Bracket dimensions:



In the kit:





**PACKAGE**

Dimensions (L x W x H): 0x0x0 mm	Gross Weight: 0 kg
----------------------------------	--------------------

