

Code: BRATECK-PLB-6N

TV OR MONITOR MOUNT **BRATECK-PLB-6N**

Net: **16.10 EUR** Gross: **16.10 EUR**

The BRATECK-PLB-6N mount is intended for hanging a TV or LCD / OLED monitor on the wall.
The wall mount allows to easy (without any tools) adjustment of panel tilt angle.



SPECIFICATION

Mounting standard:	VESA 75, 100, 150, 200, 200x100, 300, 400, 400x200
Screen size range:	26 " ... 47 "
Bearing capacity:	75 kg
Distance from mounting surface:	77 mm
Color:	Black
Tilt adjustment:	-15 ° ... 15 °
Dimensions:	516 x 508 x 77 mm
Weight:	3.11 kg
Guarantee:	2 years

PRESENTATION

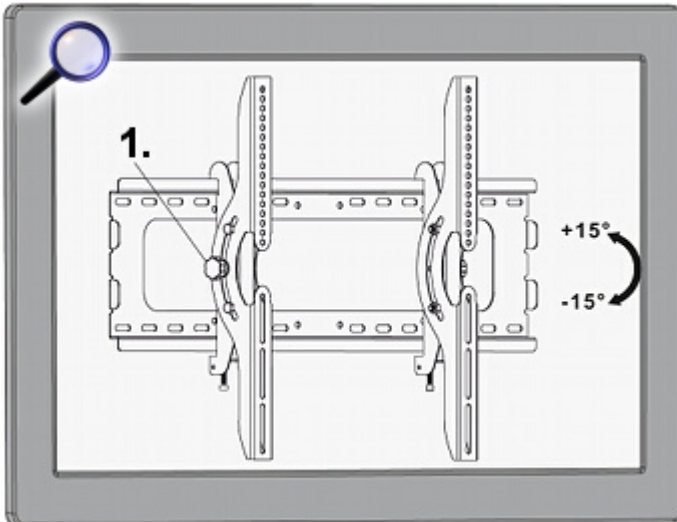
DELTA-OPTI Monika Matysiak; <https://www.delta.poznan.pl>
POL; 60-713 Poznań; Graniczna 10
e-mail: delta-opti@delta.poznan.pl; tel: +(48) 61 864 69 60



Wall mounting side view:



Possibility of mount adjustment:



In the kit:



PACKAGE

Dimensions (L x W x H): 0x0x0 mm	Gross Weight: 0 kg
----------------------------------	--------------------