

Code: POE-48/2

# POWER ADAPTER VIA TWISTED-PAIR CABLE **POE-48/2** 48 V DC 15.4 W

Net: 109.77 PLN Gross: 109.77 PLN

The POE-48/2 is designed to powering devices using PoE technology. This technology allows to run the system with only one UTP/FTP cable which transmits data and provides supplying voltage.

Attention! If the power adaptor is using for continuous work (24H) the rated current of the adaptor should be less than 80% of the maximal current.

Please pay attention for proper cooling conditions of the power adaptor during work!

Attention! The power cord is not included (230V AC).

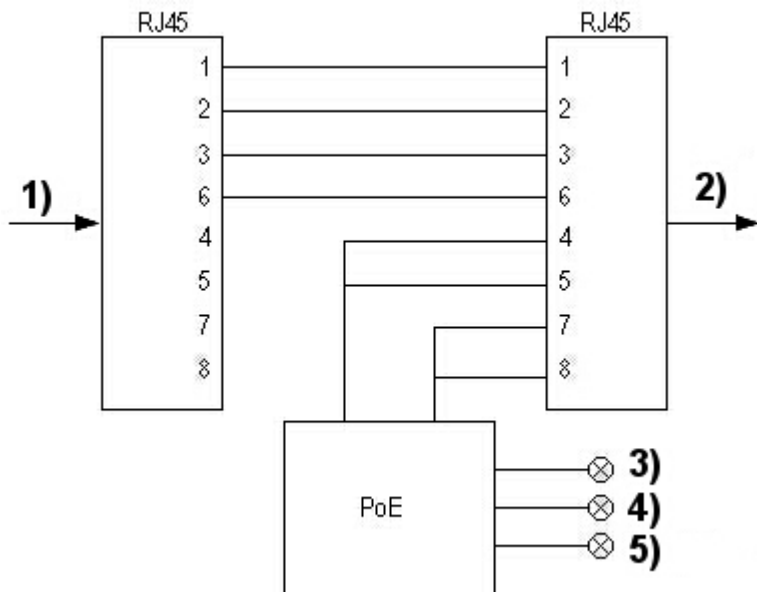


## SPECIFICATION

Standards:	IEEE 802.3af
Input voltage:	100 V ... 240 V AC
Output voltage:	48 V DC
Number of inputs:	1
Connector:	2 x RJ-45 socket
Maximal output current:	0.35 A max. for 240 V AC
LED indicators:	<ul style="list-style-type: none"><li>• Power connection</li><li>• Connecting to the device</li><li>• Error</li></ul>
Output power:	15.4 W
Protections:	<ul style="list-style-type: none"><li>• Short-circuit</li><li>• Overload protection</li></ul>
Housing:	Plastic
Operation temp. / Relative humidity:	0 °C ... 40 °C / 5 % 90 %
Weight:	0.2 kg
Dimensions:	140 x 65 x 36 mm
Guarantee:	2 years

## PRESENTATION

DELTA-OPTI Monika Matysiak; <https://www.delta.poznan.pl>  
POL; 60-713 Poznań; Graniczna 10  
e-mail: delta-opti@delta.poznan.pl; tel: +(48) 61 864 69 60



- 1) Data
- 2) Data + Power
- 3) ON
- 4) Error
- 5) Connection





## PACKAGE

Dimensions (L x W x H): 0x0x0 mm	Gross Weight: 0 kg
----------------------------------	--------------------

