

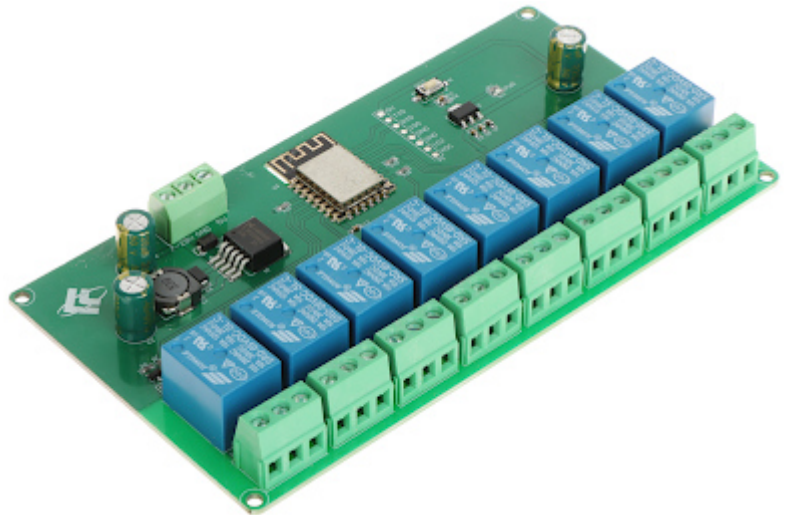
Code: ESP12-8R-D8

RELAY MODULE **ESP12-8R-D8** Wi-Fi

Net: **21.35 EUR** Gross: **21.35 EUR**

The ESP12-8R-D8 module allows you to wireless control 8 relays. Communication with the device takes place via the Wi-Fi interface.

The Arduino IDE or Eclipse package tools can be used to program the module. The module programming is done through the UART TTL serial port.

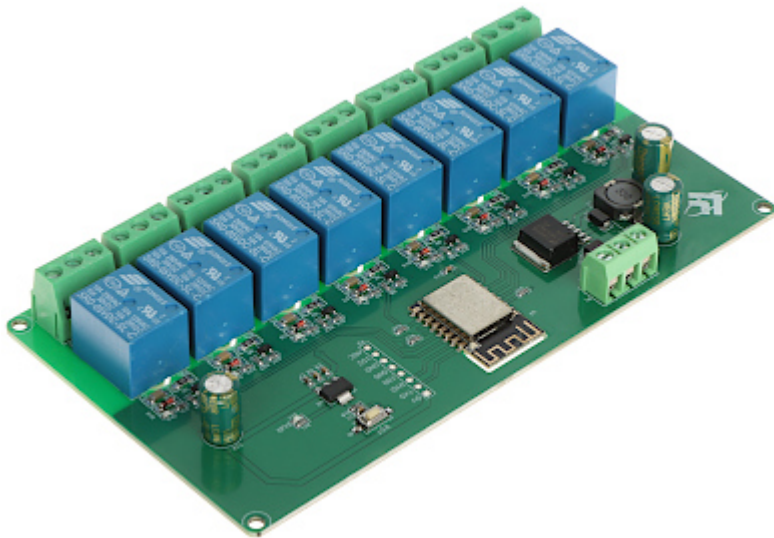


SPECIFICATION

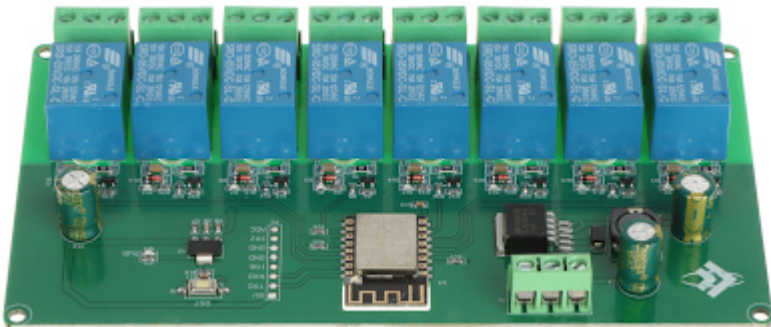
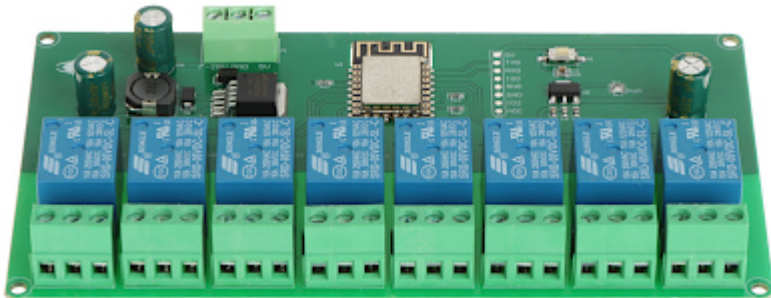
PTZ control:	Wi-Fi
Protocol:	IEEE 802.11 b/g/n/e/i, Wi-Fi Direct (P2P), TCP, UDP
Number of inputs:	2
Number of relay outputs:	8 pcs
Relay maximal load:	10 A / 250 V AC , 10 A / 30 V DC
Output:	8 x NO/NC
Main features:	<ul style="list-style-type: none">• LED indication• Programming with Arduino IDE or Eclipse tools• The module can be used as an element of IoT (Internet of Things) systems• The Wi-Fi module works in the 2.4 GHz band
Power supply:	7 V ... 28 V DC or 5 V DC (power adapter not included)
Weight:	0.14 kg
Dimensions:	148 x 80 x 19 mm
Guarantee:	2 years

PRESENTATION

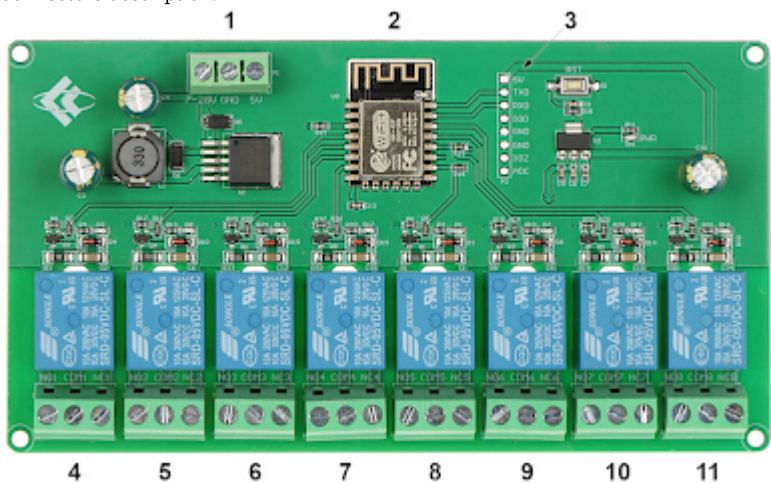
DELTA-OPTI Monika Matysiak; <https://www.delta.poznan.pl>
POL; 60-713 Poznań; Graniczna 10
e-mail: delta-opti@delta.poznan.pl; tel: +(48) 61 864 69 60



Connectors:



Connectors description:



1. Power supply
2. Wi-Fi Module
3. UART TTL serial port and control inputs
4. 1 relay output
5. 2 relay output
6. 3 relay output

- 7. 4 relay output
 - 8. 5 relay output
 - 9. 6 relay output
 - 10. 7 relay output
 - 11. 8 relay output
- In the kit:



PACKAGE

Dimensions (L x W x H): 0x0x0 mm	Gross Weight: 0 kg
----------------------------------	--------------------

