

Code: AWZG2-12V3A-C

BUFFERED POWER SUPPLY TRANSFORMER **AWZG2-12V3A-C** PULSAR

Net: **414.00 PLN** Gross: **414.00 PLN**



The buffered power supply adapter is designed for powering control panels, sensors, code locks, cameras, consoles, intercoms and other alarm system equipment.

Please pay attention to proper cooling conditions of the power adapter during work!

Attention! The dimensions of the housing do not allow the installation of 12 Ah and 14 Ah batteries.

SPECIFICATION

Adapter type:	Transforming
Input voltage:	230 V AC
Output voltage:	11.0 V ... 13.8 V (buffer operation)
Max. output current (total):	3 A
Battery charging current:	0.5 A / 1 A (set with the JP1 jumper)
Power:	41 W
Number of outputs:	2
Protections:	<ul style="list-style-type: none">• Short-circuit• Overload• Overvoltage• Overheat• Tamper• Reverse polarity connection• Discharge
Adapter operation control:	<ul style="list-style-type: none">• AC input voltage presence indication AC• DC output voltage presence indication DC• No battery or fail battery• Battery charging - on the mainboard• EPS FLT output - indicating AC power collapse• APS FLT output - Battery fault indication

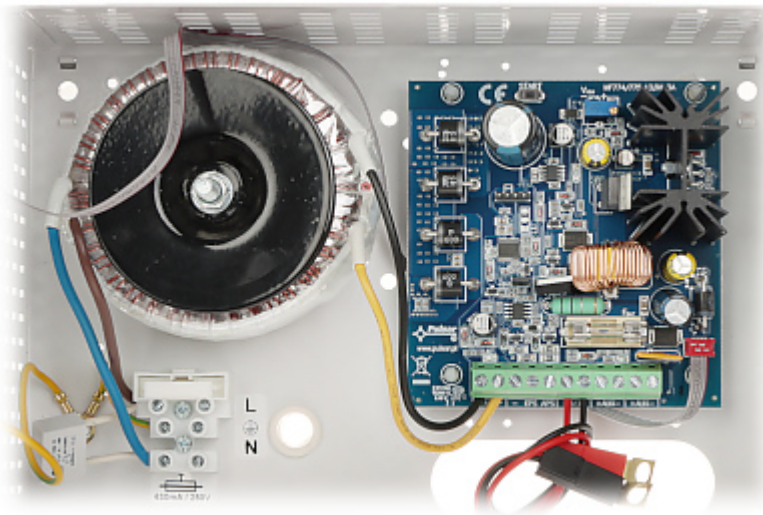


DELTA-OPTI Monika Matysiak; <https://www.delta.poznan.pl>
POL; 60-713 Poznań; Graniczna 10
e-mail: delta-opti@delta.poznan.pl; tel: +(48) 61 864 69 60

Main features:	<ul style="list-style-type: none"> • Output voltage - stabilized • Microprocessor-based automation system • Battery charge and maintenance control • Tamper signaling - NC • LED indication • 2 x OC output • Compliance to EN 50131-6:2017 @ Grade 2 standard • Compliance to EN 60839-11:2013 @ Grade 2 standard
Place for battery:	12 V / 20 Ah (max)
Max. battery dimensions:	215 x 172 x 75 mm
Weight:	2.8 kg
Dimensions:	235 x 305 x 90 mm
Manufacturer / Brand:	PULSAR
Guarantee:	2 years

PRESENTATION

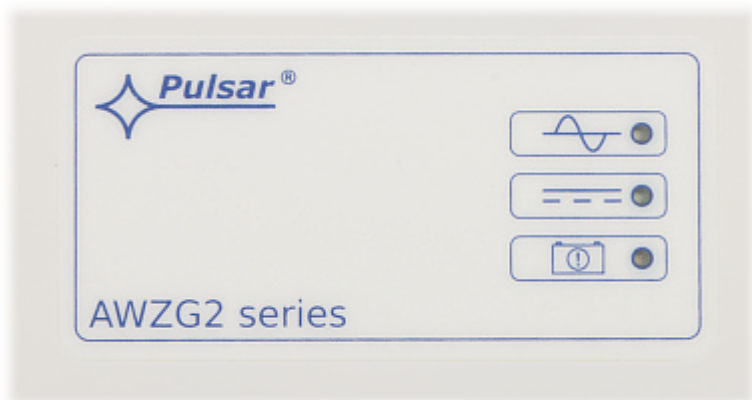
Internal view:



Front view:



Example of displayed information:

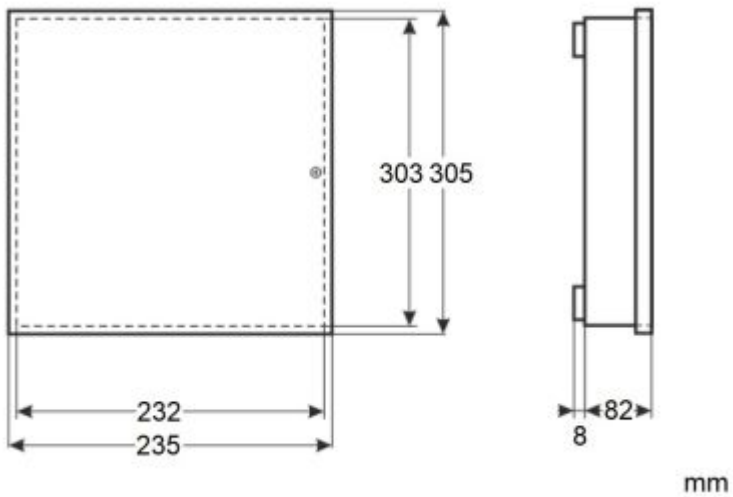


Mounting side view:





Dimensions:



OUR OPINIONS



- The AWZG2-12V3A-C complies with the PN-EN50131-6:2017 standard alarm grade 1+2 and environmental class II.

PACKAGE

Dimensions (L x W x H): 0x0x0 mm	Gross Weight: 0 kg
----------------------------------	--------------------