

Code: DH-ITC237-PW1A-IRZ

# IP CAMERA ANPR **DH-ITC237-PW1A-IRZ** - 1080p 4 ... 8 mm - MOTOZOOM DAHUA

Net: **576.96 EUR** Gross: **576.96 EUR**

The IP ANPR (Automatic Number Plate Recognition) Camera is designed for auto recognition of the vehicle number plates.

The used motozoom lens with 4 ... 8 mm focal length allows to remote view angle adjustment.

PoE powering possibility, compatible with the 802.3af standard makes the device more universal and easier to install.



## SPECIFICATION

Standard:	TCP/IP
Sensor:	1/1.9 " Progressive Scan CMOS
Matrix size:	2.1 Mpx
Resolution:	1920 x 1080 - 1080p
Lens:	4 ... 8 mm - Motozoom
View angle:	90 ° ... 58 °
Range of IR illumination:	4 ... 8 m
Optimal distance for ANPR monitoring:	4 ... 8 m
S/N ratio:	> 50 dB (AGC off)
Compression:	H.264 / MJPEG
Main stream frame rate:	25 fps - 1080p
Network interface:	10/100 Base-T (RJ-45)
Network protocols:	IPv4/IPv6, HTTP, TCP/IP, NTP, DHCP
WEB Server:	Built-in, NVR compliance
Max. number of on-line users:	20
ONVIF:	—
Memory card slot:	Micro SD memory cards up to 64GB support (possible local recording)
Alarm inputs / outputs:	2 / 1

Audio:	<ul style="list-style-type: none"> <li>• External microphone input</li> <li>• Audio output</li> <li>• Bi-directional audio streaming support</li> </ul>
RS-485 interface:	—
Mobile phones support:	—
Main features:	<ul style="list-style-type: none"> <li>• Max. speed of a moving vehicle : 40 km/h</li> <li>• Image analysis : License plate recognition, Gate opening, White list - embedded, Loop detection</li> <li>• Motozoom lens - Control from a Web browser</li> <li>• ICR - Movable InfraRed filter</li> <li>• 3D-DNR - Digital Noise Reduction</li> <li>• BLC - Back Light Compensation</li> <li>• HLC - High Light Compensation (spot)</li> <li>• Day/Night mode (color/b&amp;w/auto)</li> </ul>
Power supply:	<ul style="list-style-type: none"> <li>• PoE (802.3af),</li> <li>• 24 V AC / 625 mA</li> </ul>
Power consumption:	≤ 15 W
Housing:	Compact, Metal / Plastic
Color:	White
"Index of Protection":	IP67
Vandal-proof:	IK10
Operation temp:	-40 °C ... 60 °C
Weight:	1.33 kg
Dimensions:	293 x 95 x 95 mm
Supported languages:	English
Manufacturer / Brand:	DAHUA
Guarantee:	<b>3 years</b>

## PRESENTATION

Front view:



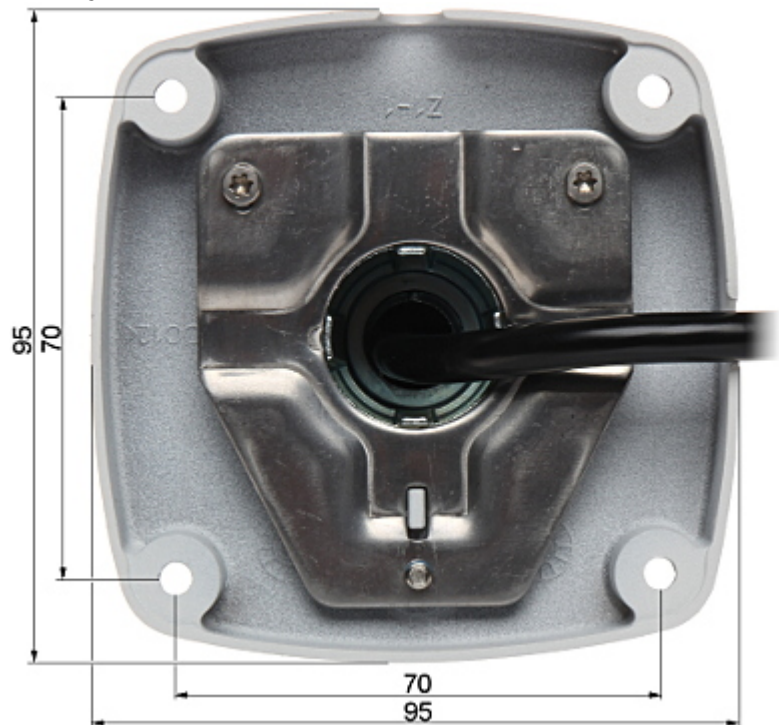
Side view:



Bottom view:



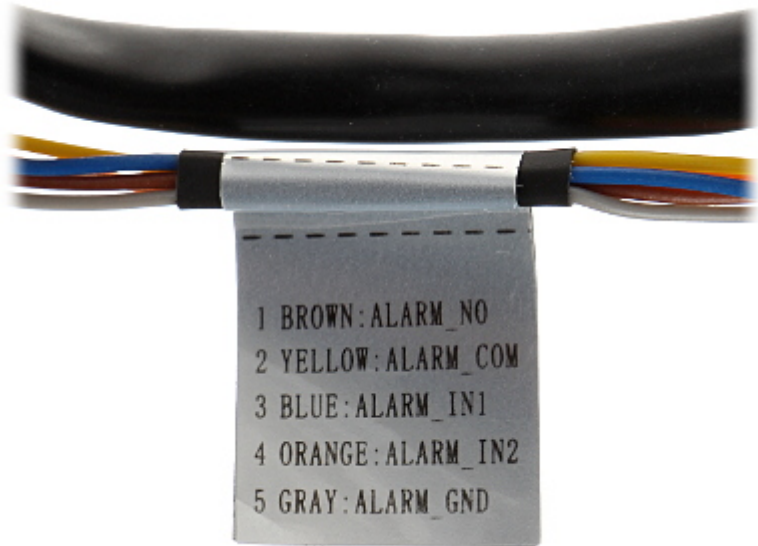
Mounting side view:



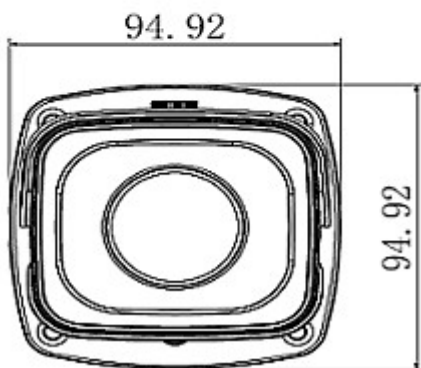
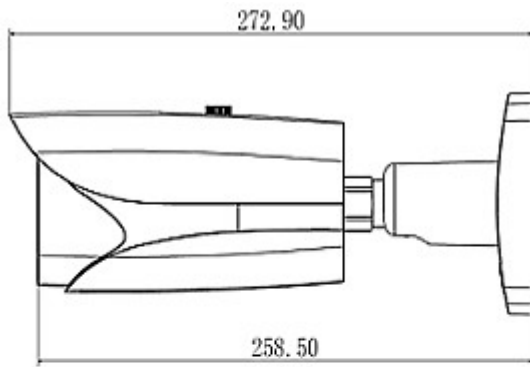
Camera connectors:



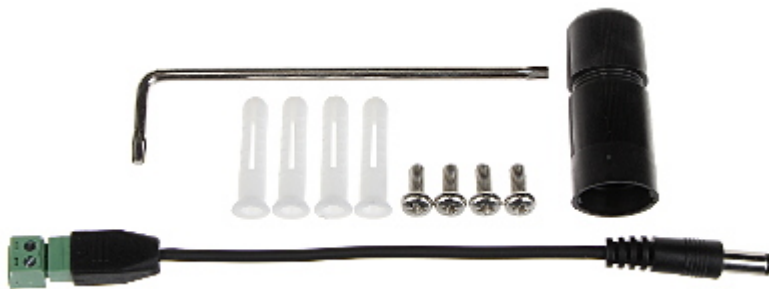
Connectors description:



Camera dimensions:



In the kit:



The ANPR algorithm test used in DAHUA cameras:

:

## OUR OPINIONS



- o Motozoom lens.

## PACKAGE

Dimensions (L x W x H): 0x0x0 mm	Gross Weight: 0 kg
----------------------------------	--------------------