

Code: IPC-PFW8601-A180-H-E3-AC24V

## IP VANDALPROOF CAMERA **IPC-PFW8601-A180-H-E3-AC24V**

PANORAMIC - 3.4 Mpx, 3 x 3.6 mm DAHUA

Net: **5 297.00 PLN** Gross: **5 297.00 PLN**

The IP camera is equipped with 3 high quality image sensors and 3 lenses with 3.6 mm focal length. Thanks to its unique design, the camera has a 180° viewing angle. PoE powering possibility, compatible with the 802.3at standard makes the device more universal and easier to install.



### SPECIFICATION

|                           |  |
|---------------------------|--|
| Standard:                 | TCP/IP   |
| Sensor:                   | 3 x 1/2.8 " Megapixel Exmor R CMOS   |
| Matrix size:              | 3 x 2.0 Mpx - 6.0 Mpx (total)  |
| Scanning system:          | Progressive  |
| Resolution:               | 4096 x 832 - 3.4 Mpx ,<br>3840 x 780 - 3.0 Mpx ,<br>2560 x 520 - 1.3 Mpx ,<br>1280 x 260 - 0.3 Mpx ,<br>1024 x 208 - 0.2 Mpx                             |
| Lens:                     | 3 x 3.6 mm / F1.8  |
| View angle:               | 180 ° (horizontal)<br>44 ° (vertical)  |
| Range of IR illumination: | 30 m   |
| S/N ratio:                | > 50 dB  |
| RS-485 interface:         | —  |
| Image compression method: | H.265 / H.264 / MJPEG  |
| Alarm inputs / outputs:   | 2 / 1  |
| Audio:                    | <ul style="list-style-type: none"><li>• External microphone input</li><li>• Audio output</li><li>• Bi-directional audio streaming support</li></ul>      |
| Bitrate:                  | 1024 ... 7424 kbps @ H.265<br>4096 ... 12288 kbps @ H.264  |
| Main stream frame rate:   | 25 fps @ 3.4 Mpx   |
| Network interface:        | 10/100 Base-T (RJ-45)  |
| Network protocols:        | HTTP, HTTPS, TCP, ARP, RTSP, RTP, UDP, SMTP, FTP, DHCP, DNS, DDNS, PPPoE, IPv4/IPv6, QoS, UPnP, NTP, Bonjour, 802.1x Radius, Multicast, ICMP, IGMP, SNMP |

DELTA-OPTI Monika Matysiak; <https://www.delta.poznan.pl>  
POL; 60-713 Poznań; Graniczna 10  
e-mail: [delta-opti@delta.poznan.pl](mailto:delta-opti@delta.poznan.pl); tel: +(48) 61 864 69 60

|                                |   |
|--------------------------------|---|
| Memory card slot:              | Micro SD memory cards up to 128GB support (possible local recording)  |
| Mobile phones support:         | Port no.: 37777 or access by a cloud (P2P)<br><ul style="list-style-type: none"> <li>• Android: Free application <a href="#">DMSS</a></li> <li>• iOS (iPhone): Free application <a href="#">DMSS</a></li> </ul>   |
| Default IP address:            | 192.168.1.108   |
| Default admin user / password: | admin / admin   |
| Web browser access ports:      | 80, 37777   |
| PC client access ports:        | 37777   |
| Mobile client access ports:    | 37777   |
| Port ONVIF:                    | 80  |
| RTSP URL:                      | rtsp://admin:hasło@192.168.1.108:554/cam/realmonitor?channel=1&subtype=0 - Main stream<br>rtsp://admin:hasło@192.168.1.108:554/cam/realmonitor?channel=1&subtype=1 - Sub stream   |
| WEB Server:                    | Built-in  |
| Max. number of on-line users:  | 20  |
| ONVIF:                         | 2.42  |
| Main features:                 | <ul style="list-style-type: none"> <li>• IVS analysis - crossing the line (tripwire), intrusion, abandoned/missing object, face detection, people counting</li> <li>• Heat map - the selection in the image by corresponding colors the areas with different traffic</li> <li>• WDR - 120 dB - Wide Dynamic Range</li> <li>• 3D-DNR - Digital Noise Reduction</li> <li>• Possibility to change the resolution, quality and bit rate</li> <li>• Time mark and image description</li> <li>• Image rotation and mirror</li> <li>• Configurable: brightness, contrast, saturation</li> <li>• Privacy zones</li> <li>• Motion Detection</li> <li>• The device has a built-in heater</li> </ul> |
| Power supply:                  | <ul style="list-style-type: none"> <li>• PoE (802.3at)</li> <li>• 24 V AC / 960 mA - Heater on</li> </ul>   |
| Power consumption:             | < 23 W  |
| Housing:                       | Compact, Metal  |
| Color:                         | Black / White   |
| Vandal-proof:                  | IK10  |
| "Index of Protection":         | IP67  |
| Operation temp:                | -40 °C ... 60 °C  |
| Weight:                        | 2.82 kg   |
| Dimensions:                    | 298 x 173 x 121 mm  |
| Supported languages:           | English   |
| Manufacturer / Brand:          | DAHUA   |
| Guarantee:                     | <b>3 years</b>  |

## PRESENTATION

Front view:



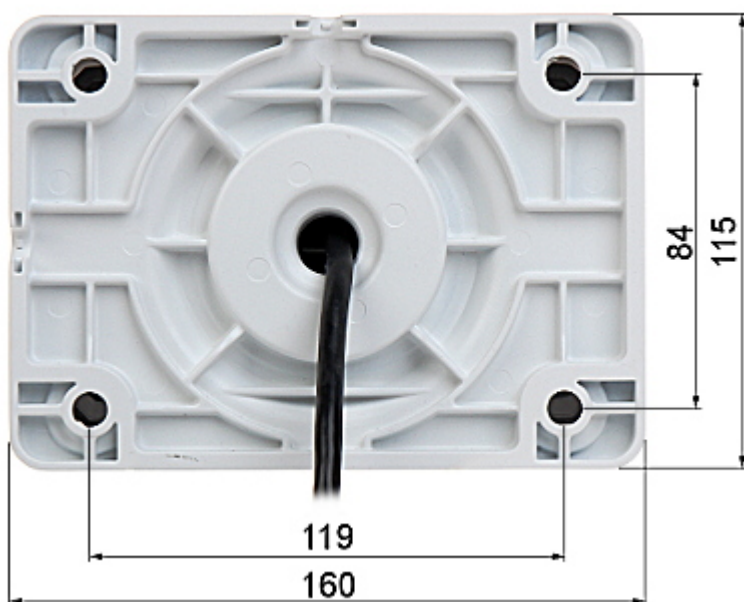
DELTA-OPTI Monika Matysiak; <https://www.delta.poznan.pl>  
POL; 60-713 Poznań; Graniczna 10  
e-mail: [delta-opti@delta.poznan.pl](mailto:delta-opti@delta.poznan.pl); tel: +(48) 61 864 69 60



Side view:



Mounting side view:



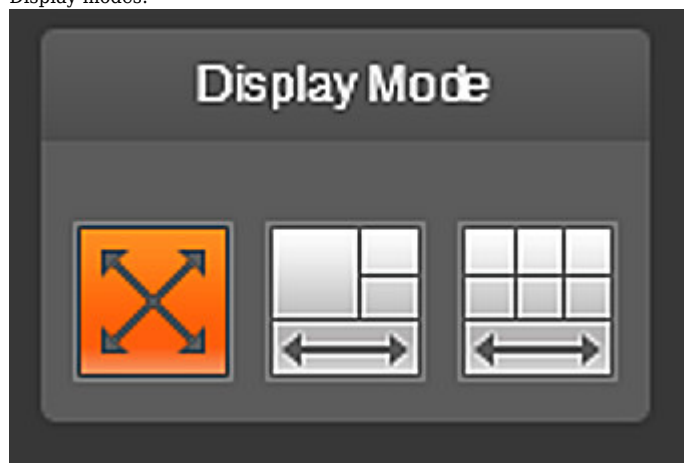
Memory card slot:



Connectors:



Display modes:



See how to initialize DAHUA cameras:

:  
In the kit:



DELTA-OPTI Monika Matysiak; <https://www.delta.poznan.pl>  
POL; 60-713 Poznań; Graniczna 10  
e-mail: [delta-opti@delta.poznan.pl](mailto:delta-opti@delta.poznan.pl); tel: +(48) 61 864 69 60



## OUR TESTS

Record from camera during daylight operation:

:

## PACKAGE

|                                  |                    |
|----------------------------------|--------------------|
| Dimensions (L x W x H): 0x0x0 mm | Gross Weight: 0 kg |
|----------------------------------|--------------------|