

Code: IPC-PFW5849-A180-E2-ASTE-0360B

# IP CAMERA **IPC-PFW5849-A180-E2-ASTE-0360B** PANORAMIC Full-Color WizMind - 7.3 Mpx 2 X 3.6 mm DAHUA Net: **1 147.78 EUR** Gross: **1 147.78 EUR**

Panoramic camera from the Full-color, WizMind series with a very sensitive sensor, ideal in places with insufficient lighting conditions. Its construction is perfect solution to observe a panoramic view of the area where the device is installed.

PoE powering possibility, compatible with the 802.3at standard makes the device more universal and easier to install.



## SPECIFICATION

Standard:	IP
Resolution:	4096 x 1800 - 7.3 Mpx , 3840 x 1680 - 6 Mpx , 3840 x 1080 - 4.1 Mpx , 2880 x 1264 - 3.6 Mpx , 1920 x 832 - 1.6 Mpx
Sensor:	2 x 1/1.8 " Progressive Scan CMOS
Lens:	2 x 3.6 mm
View angle:	180 °
White light LED illuminator range:	40 m
Min. illumination:	0.0005 Lux / F1.0 (color)
S/N ratio:	> 56 dB
RS-485 interface:	—
Memory card slot:	Micro SD card support up to 512GB
Image compression method:	H.265+ / H.265 / H.264+ / H.264 / MJPEG
Alarm inputs / outputs:	1 / 1
Audio:	<ul style="list-style-type: none"><li>• Microphone built-in,</li><li>• External microphone input,</li><li>• Speaker built-in</li><li>• Audio output</li><li>• Bi-directional audio streaming support</li><li>• Audio detection</li></ul>
Main stream frame rate:	20 fps @ 7.3 Mpx

DELTA-OPTI Monika Matysiak; <https://www.delta.poznan.pl>  
POL; 60-713 Poznań; Graniczna 10  
e-mail: [delta-opti@delta.poznan.pl](mailto:delta-opti@delta.poznan.pl); tel: +(48) 61 864 69 60

Network interface:	10/100 Base-T (RJ-45)
WEB Server:	Built-in
Max. number of on-line users:	20
ONVIF:	✓
Mobile phones support:	Port no.: 37777 or access by a cloud (P2P) <ul style="list-style-type: none"> <li>• Android: Free application <a href="#">DMSS</a></li> <li>• iOS (iPhone): Free application <a href="#">DMSS</a></li> </ul>
Default IP address:	192.168.1.108
Default admin user / password:	admin / - The administrator password should be set at the first start
Web browser access ports:	80, 37777
PC client access ports:	37777
Mobile client access ports:	37777
Port ONVIF:	80
RTSP URL:	rtsp://admin:hasło@192.168.1.108:554/cam/realmonitor?channel=1&subtype=0 - Main stream rtsp://admin:hasło@192.168.1.108:554/cam/realmonitor?channel=1&subtype=1 - Sub stream
Intelligent image analysis:	<ul style="list-style-type: none"> <li>• crossing the line (tripwire) - classification of people and vehicles</li> <li>• intrusion - classification of people and vehicles</li> <li>• fast moving - classification of people and vehicles</li> <li>• parking detection</li> <li>• detection of people gathering</li> <li>• people counting - Supports area or queue management and the ability to configure up to 4 rules</li> <li>• heat map</li> <li>• abandoned/missing object</li> </ul>
Main features:	<ul style="list-style-type: none"> <li>• EPTZ - advanced target detection and tracking algorithms that trigger alarms - can simultaneously zoom and track many people and/or vehicles</li> <li>• WDR - 140 dB - Wide Dynamic Range</li> <li>• 3D-DNR - Digital Noise Reduction</li> <li>• ROI - improve the quality of selected parts of image</li> <li>• F-DNR (Defog) - Reduction of image noise caused by precipitation</li> <li>• SMD 3.0 - searching for an object classified as: human, motor vehicle</li> <li>• SSA - Smart Scene Adaptive - intelligent scene adaptation by automatically adjusting the exposure parameters to obtain a better image</li> <li>• BLC/HLC - Back Light / High Light Compensation</li> <li>• Day/night mode</li> <li>• Full Color - colorful night mode</li> <li>• Auto White Balance</li> <li>• AGC - Automatic Gain Control</li> <li>• Motion Detection - max. 4 zones</li> <li>• Privacy zones - max. 8</li> <li>• Mirror - Mirror image</li> <li>• Light and sound alarm</li> <li>• White light (LED) illuminator built-in : 2 LEDs</li> </ul>
Power supply:	<ul style="list-style-type: none"> <li>• PoE (802.3at),</li> <li>• ePoE,</li> <li>• 12 V DC / 1.02 A</li> </ul>
Power consumption:	<ul style="list-style-type: none"> <li>• ≤ 13.8 W @ PoE</li> <li>• ≤ 12.3 W @ 12 V</li> </ul>
Housing:	Compact - Metal + Plastic
Color:	White
"Index of Protection":	IP67
Mechanical protection class:	—
Operation temp:	-40 °C ... 60 °C
Weight:	1.41 kg



Dimensions:	301 x 128 x 120 mm
Supported languages:	Polish, English, Czech, French, Spanish, Dutch, German, Russian, Portuguese, Romanian, Ukrainian, Hungarian, Italian
Manufacturer / Brand:	DAHUA
Guarantee:	<b>5 years</b>

## PRESENTATION



Side view:



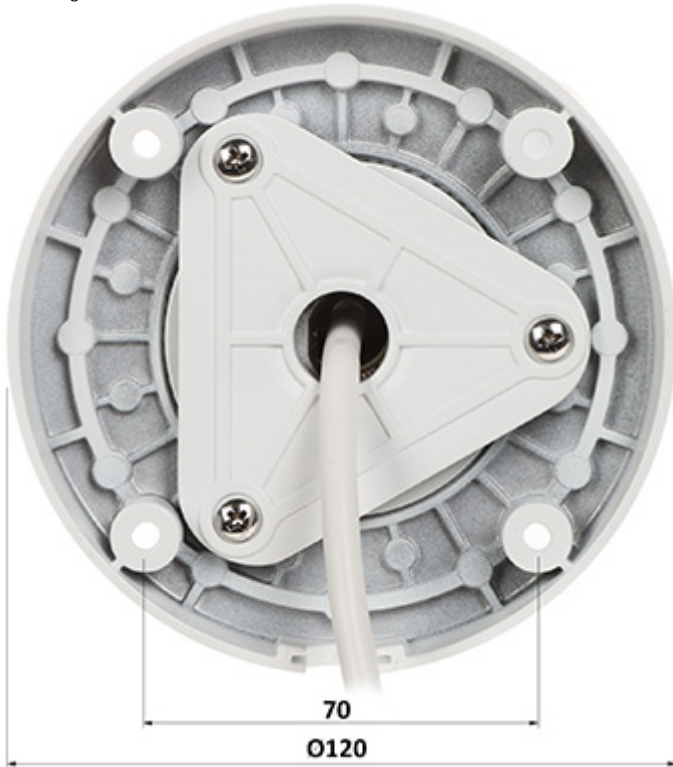
Bottom view:



Memory card slot and "Reset" button:



Mounting side view:



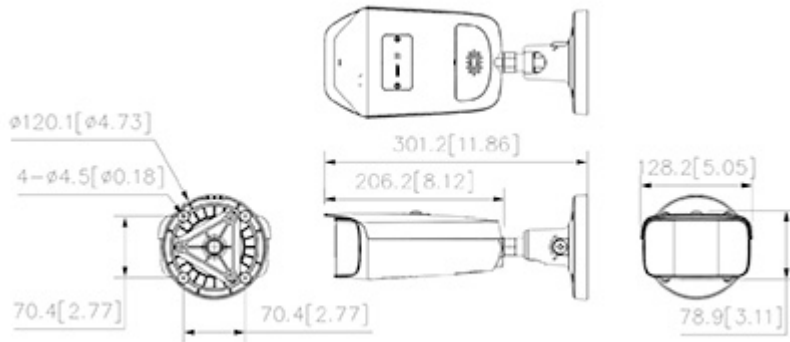
Camera connectors:



Connectors description:



Dimensions:



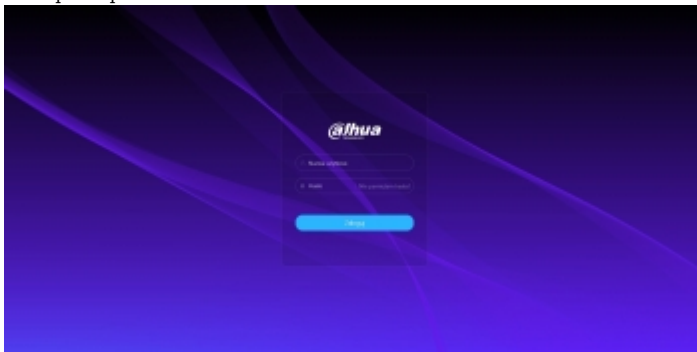
See how to initialize DAHUA cameras:

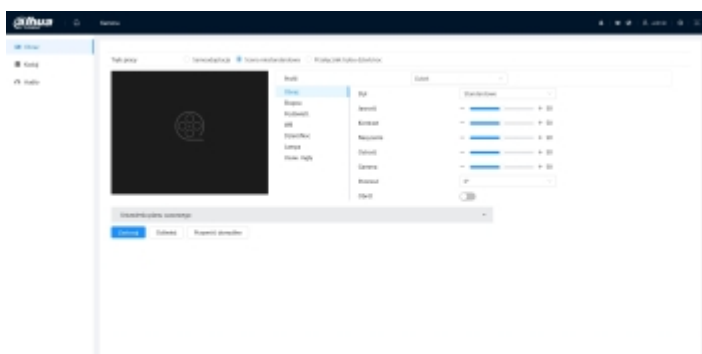
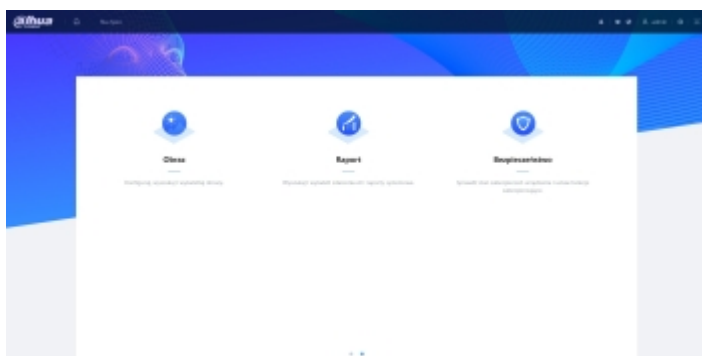
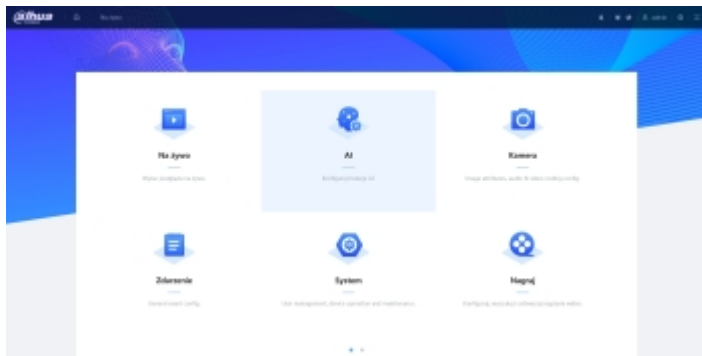
:

In the kit:

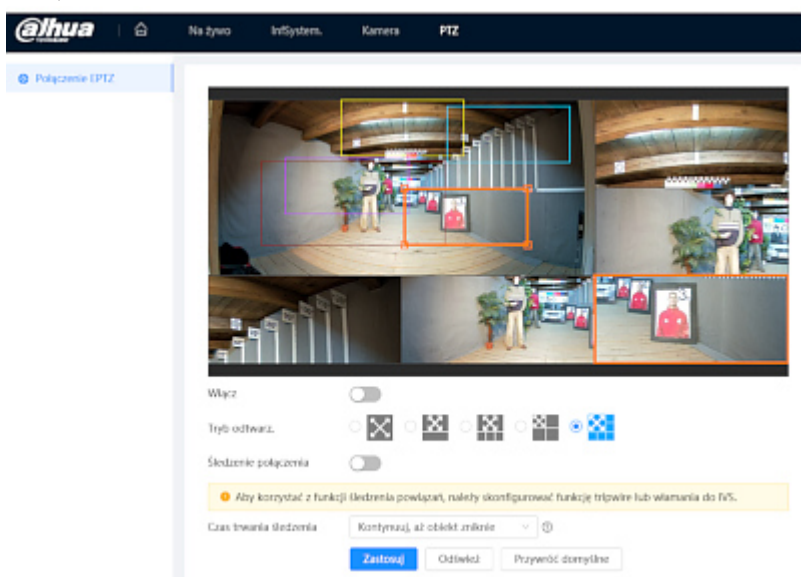


Example captures of device interface:





EPTZ:



PACKAGE

Dimensions (L x W x H): 0x0x0 mm Gross Weight: 0 kg

DELTA-OPTI Monika Matysiak; <https://www.delta.poznan.pl>  
 POL; 60-713 Poznań; Graniczna 10  
 e-mail: delta-opti@delta.poznan.pl; tel: +(48) 61 864 69 60



DELTA-OPTI Monika Matysiak; <https://www.delta.poznan.pl>  
POL; 60-713 Poznań; Graniczna 10  
e-mail: delta-opti@delta.poznan.pl; tel: +(48) 61 864 69 60