

Code: IPC-HDW5842TM-SE-0280B-S2

## IP CAMERA **IPC-HDW5842TM-SE-0280B-S2** - 8.3 Mpx 2.8 mm DAHUA

Net: **2 527.00 PLN** Gross: **2 527.00 PLN**



IP camera with efficient H.265 / H.264 image compression algorithm for clear and smooth video streaming at maximal resolution of 8 MPx.

PoE powering possibility, compatible with the 802.3af standard makes the device more universal and easier to install. The range of IR illumination according to the manufacturer data, depends on outer conditions (visibility - air transparency, environment, wall colors ie. scene reflectance). Thanks to the "Starlight" technology used, the camera only needs very low lighting to obtain a clear color image.

The camera has extensive functions of intelligent image analysis.

### SPECIFICATION

Standard:	TCP/IP
Sensor:	1/1.8 " Progressive Scan CMOS
Matrix size:	8.3 Mpx
Resolution:	3840 x 2160 - 8.3 Mpx , 3072 x 2048 - 6.3 Mpx , 3072 x 1728 - 5.3 Mpx , 2592 x 1944 - 5 Mpx , 2688 x 1520 - 4 Mpx , 2560 x 1440 - 3.7 Mpx , 2304 x 1296 - 3 Mpx , 1920 x 1080 - 1080p 1280 x 960 - 1.3 Mpx 1280 x 720 - 720p
Lens:	2.8 mm
View angle:	111 °
Range of IR illumination:	30 m
Memory card slot:	Micro SD memory cards up to 256GB support (possible local recording)
Image compression method:	H.265+ / H.265 / H.264+ / H.264 / MJPEG
Alarm inputs / outputs:	—
Audio:	<ul style="list-style-type: none"><li>• Microphone built-in</li><li>• Audio transmission via network</li></ul>
Main stream frame rate:	25 fps @ 8.3 Mpx
Network interface:	10/100 Base-T (RJ-45)

DELTA-OPTI Monika Matysiak; <https://www.delta.poznan.pl>  
POL; 60-713 Poznań; Graniczna 10  
e-mail: [delta-opti@delta.poznan.pl](mailto:delta-opti@delta.poznan.pl); tel: +(48) 61 864 69 60

Network protocols:	IPv4/IPv6, HTTP, HTTPS, TCP, UDP, ARP, RTP, RTSP, RTCP, RTMP, SMTP, FTP, SFTP, DHCP, DNS, DDNS, QoS, UPnP, NTP, Multicast, ICMP, IGMP, NFS, PPPoE, IEEE 802.1x SNMP
WEB Server:	Built-in
Max. number of on-line users:	20
ONVIF:	20.12
Main features:	<ul style="list-style-type: none"> <li>• WDR - 120 dB - Wide Dynamic Range</li> <li>• 3D-DNR - Digital Noise Reduction</li> <li>• ROI - improve the quality of selected parts of image</li> <li>• F-DNR (Defog) - Reduction of image noise caused by precipitation</li> <li>• BLC/HLC - Back Light / High Light Compensation</li> <li>• Possibility to change the resolution, quality and bit rate</li> <li>• Audio detection</li> <li>• Motion Detection</li> <li>• Configurable Privacy Zones</li> <li>• Mirror - Mirror image</li> <li>• Heat map - the selection in the image by corresponding colors the areas with different traffic</li> <li>• IVS analysis : intrusion, crossing the line (tripwire) - classification of people and vehicles, scene changing, abandoned/missing object, fast moving, illegal parking, detection of people gathering, face detection, people counting - support for 4 independent detection areas</li> </ul>
Mobile phones support:	Port no.: 37777 or access by a cloud (P2P) <ul style="list-style-type: none"> <li>• Android: Free application <a href="#">DMSS</a></li> <li>• iOS (iPhone): Free application <a href="#">DMSS</a></li> </ul>
Default IP address:	192.168.1.108
Default admin user / password:	admin / - The administrator password should be set at the first start
Web browser access ports:	80, 37777
PC client access ports:	37777
Mobile client access ports:	37777
Port ONVIF:	80
RTSP URL:	rtsp://admin:hasło@192.168.1.108:554/cam/realmonitor?channel=1&subtype=0 - Main stream rtsp://admin:hasło@192.168.1.108:554/cam/realmonitor?channel=1&subtype=1 - Sub stream
Power supply:	<ul style="list-style-type: none"> <li>• PoE (802.3af),</li> <li>• ePoE,</li> <li>• 12 V DC / 600 mA</li> </ul>
Power consumption:	≤ 7.8 W @ PoE ≤ 6.7 W @ 12 V DC
Housing:	Dome - Metal
Color:	White
"Index of Protection":	IP67
Operation temp:	-30 °C ... 60 °C
Weight:	0.55 kg
Dimensions:	Ø 106 x 99 mm
Supported languages:	Polish, English, Czech, French, Spanish, Dutch, German, Portuguese, Russian, Italian
Manufacturer / Brand:	DAHUA
Guarantee:	<b>3 years</b>

## PRESENTATION

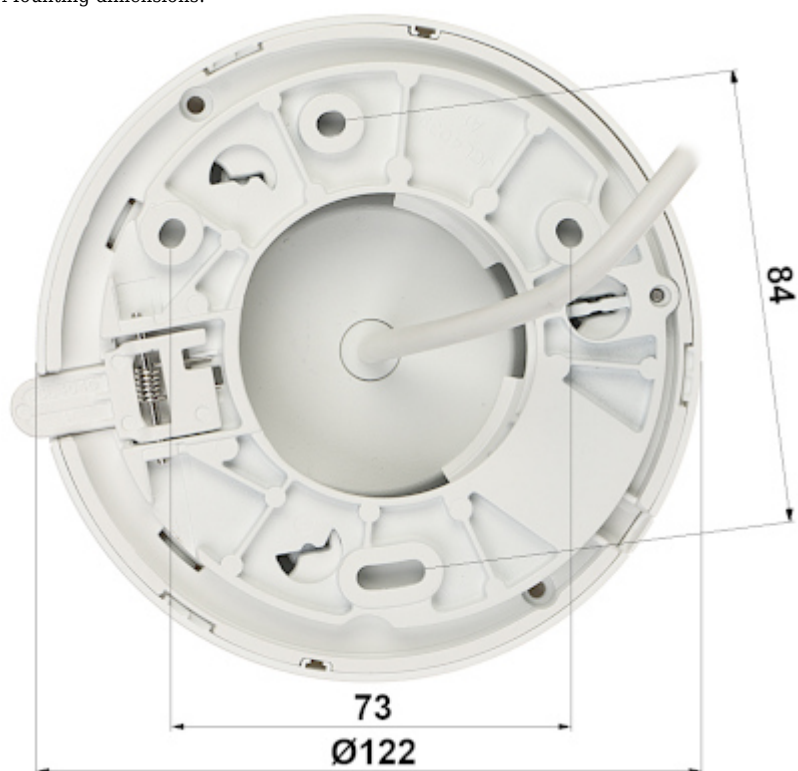
Memory card slot and "Reset" button:



DELTA-OPTI Monika Matysiak; <https://www.delta.poznan.pl>  
 POL; 60-713 Poznań; Graniczna 10  
 e-mail: [delta-opti@delta.poznan.pl](mailto:delta-opti@delta.poznan.pl); tel: +(48) 61 864 69 60



Mounting dimensions:



See how to initialize DAHUA cameras:

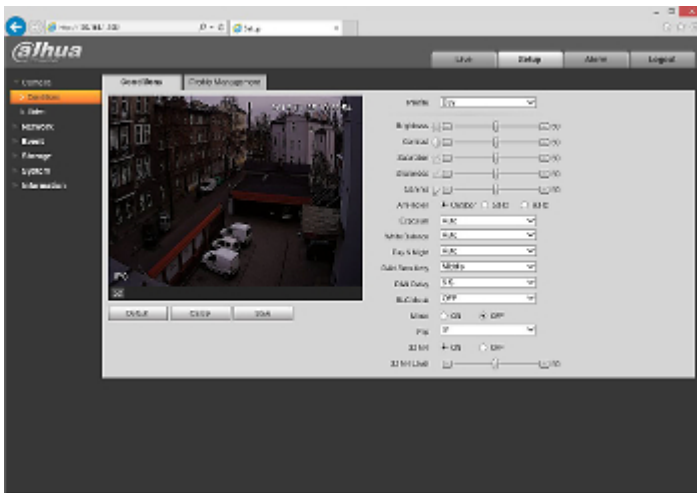
:  
In the kit:



Example captures of device interface:



DELTA-OPTI Monika Matysiak; <https://www.delta.poznan.pl>  
POL; 60-713 Poznań; Graniczna 10  
e-mail: [delta-opti@delta.poznan.pl](mailto:delta-opti@delta.poznan.pl); tel: +(48) 61 864 69 60



**OUR TESTS**

Camera image at artificial illumination (about 30Lux):



Camera image at night conditions with internal built-in IR illuminator on:



Camera image at direct strong light opposite to camera:



## OUR OPINIONS



- Thanks to the "Starlight" technology used, the camera only needs very low lighting to obtain a clear color image.

## PACKAGE

Dimensions (L x W x H): 0x0x0 mm	Gross Weight: 0 kg
----------------------------------	--------------------



DELTA-OPTI Monika Matysiak; <https://www.delta.poznan.pl>  
POL; 60-713 Poznań; Graniczna 10  
e-mail: delta-opti@delta.poznan.pl; tel: +(48) 61 864 69 60