

Code: MD-14B7

## PIR DETECTOR **MD-14B7** AC 230V FOR LIGHTING CONTROL EL HOME

Net: **31.75 PLN** Gross: **31.75 PLN**

The MD-14B7 motion detector is designed to control lighting or other electrical devices supplied with 230V AC. When motion is detected in the detector's field of view, power is supplied to the receiver for the time specified by the built-in time delay setting. In addition, the device is equipped with a light intensity sensor and a regulator of the highest light intensity, at which the detector will work.

A switch built into the detector, apart from the PIR mode, in which the detector controls the power supply to the receiver, allows you to activate or disconnect the controlled device - bypassing the detector state. The maximum load of the relay used in the detector is 500W for a resistive load or 200W for an inductive load.

The device is designed for installation in suspended ceilings.



### SPECIFICATION

Sensor type:	Passive Infra Red (PIR)
Detection angle:	360 °
Range:	Ø 6 m
Application:	For indoor use
Sensitivity adjustment:	3 ... 2000 Lux (manual adjustment)
Recommended installation height:	2.2 ... 4.0 m over the floor (wall-mounted)
Bracket adjustment:	—
Adjusting the time of switching on the lighting:	10 s ... 15 minutes
Maximal outputs load:	500 W (resistance load) 200 W (inductive load)
Pet immunity:	—
Power supply:	220 V ... 240 V AC @ 50Hz
"Index of Protection":	IP20
Color:	White
Weight:	0.06 kg
Dimensions:	Ø 50 x 67 mm
Operation temp:	-20 °C ... 40 °C
Manufacturer / Brand:	EL HOME
Guarantee:	2 years

### PRESENTATION

DELTA-OPTI Monika Matysiak; <https://www.delta.poznan.pl>  
POL; 60-713 Poznań; Graniczna 10  
e-mail: [delta-opti@delta.poznan.pl](mailto:delta-opti@delta.poznan.pl); tel: +(48) 61 864 69 60

Bottom view:



View after remove the cover:



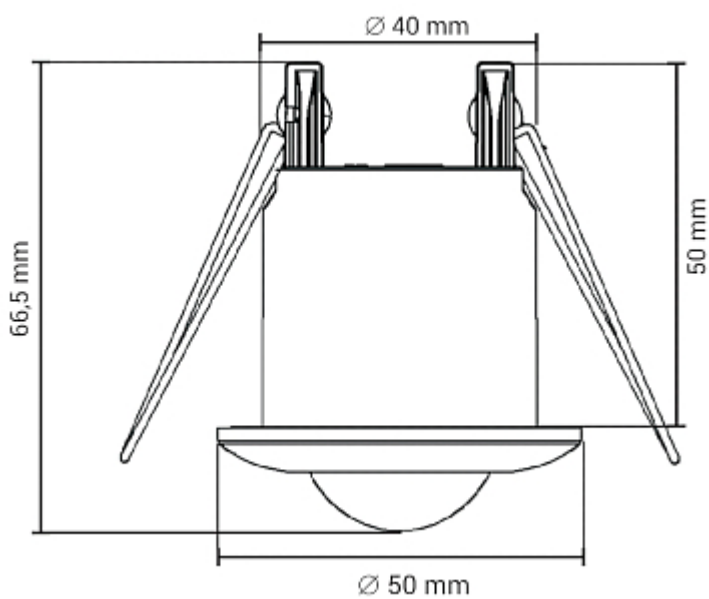
Mounting side view:



Connectors:



Dimensions:



## PACKAGE

Dimensions (L x W x H): 0x0x0 mm	Gross Weight: 0 kg
----------------------------------	--------------------



DELTA-OPTI Monika Matysiak; <https://www.delta.poznan.pl>  
POL; 60-713 Poznań; Graniczna 10  
e-mail: [delta-opti@delta.poznan.pl](mailto:delta-opti@delta.poznan.pl); tel: +(48) 61 864 69 60