

Code: ARD323-W2(868)

## WIRELESS MAGNETIC CONTACT **ARD323-W2(868)** DAHUA

Net: **249.00 PLN** Gross: **249.00 PLN**



The ARD323-W2(868) wireless detector (magnetic contact) is used to protection the windows and doors.

### SPECIFICATION

Support:	Wireless alarm systems DAHUA
Detection:	Opening the door or window
Break distance:	~ 40 mm
Alarm signaling:	Signal to control panel
Frequency range:	868 MHz
Radio communication range (at open area):	max. 1200 m (open area)
Alarm inputs:	—
Battery:	1 x CR123A 3 V (included)
Backup time:	~ 5 years
Main features:	<ul style="list-style-type: none"><li>• Tamper protections</li><li>• Low battery level alarm</li><li>• AES128 data encryption</li></ul>
Operation temp:	-10 °C ... 55 °C
Color:	White
Weight:	<ul style="list-style-type: none"><li>• 0.036 kg - Transmitter</li><li>• 0.034 kg - Magnet</li></ul>
Dimensions:	<ul style="list-style-type: none"><li>• 100 x 21 x 21 mm - Transmitter</li><li>• 100 x 21 x 21 mm - Magnet</li></ul>
Country of origin:	China

DELTA-OPTI Monika Matysiak; <https://www.delta.poznan.pl>  
POL; 60-713 Poznań; Graniczna 10  
e-mail: [delta-opti@delta.poznan.pl](mailto:delta-opti@delta.poznan.pl); tel: +(48) 61 864 69 60

Manufacturer / Brand:	DAHUA
Guarantee:	2 years

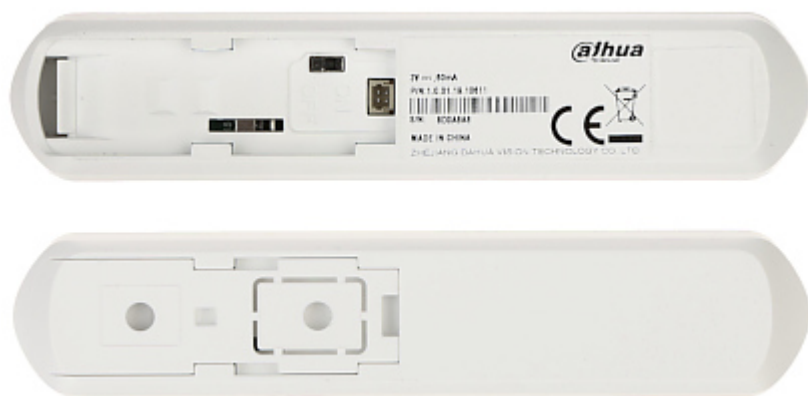
## PRESENTATION

Transmitter:

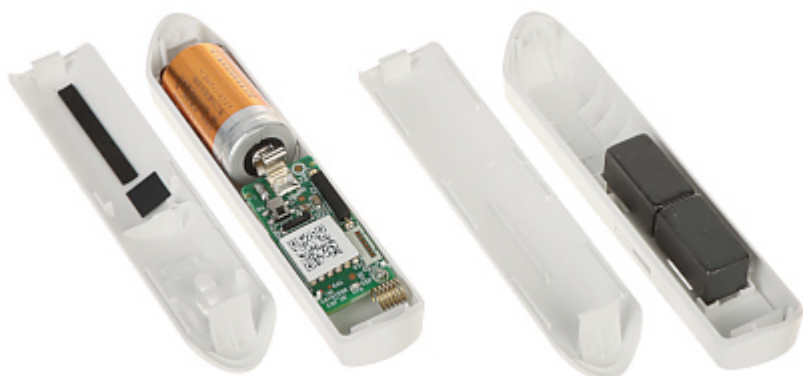
Front view:



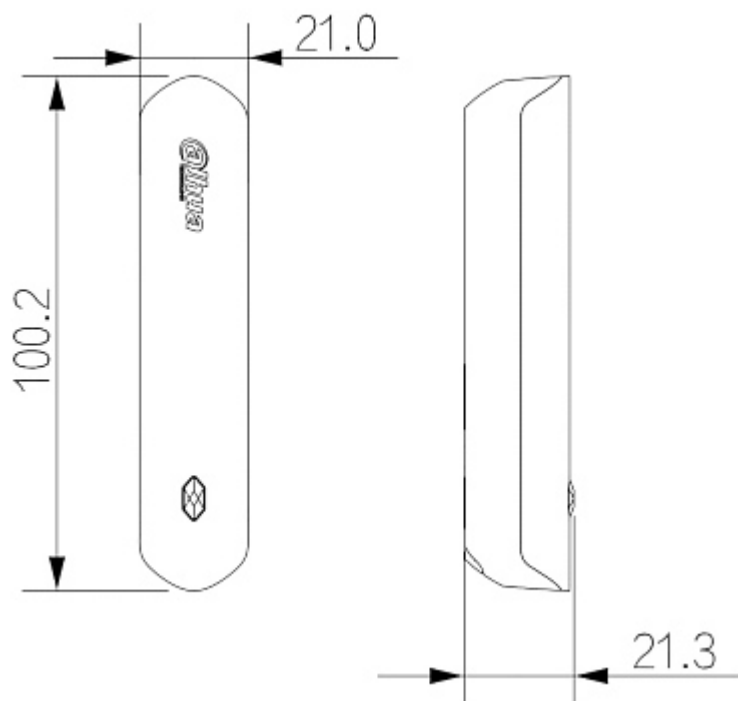
Transmitter and magnet:



Internal view of the housing:



Dimensions:



In the kit:



## PACKAGE

Dimensions (L x W x H): 0x0x0 mm	Gross Weight: 0 kg
----------------------------------	--------------------