

Code: SD59225-HC-LA

# HD-CVI SPEED DOME CAMERA OUTDOOR **SD59225-HC-LA** - 1080p 4.8 ... 120 mm DAHUA

Net: **3 950.00 PLN** Gross: **3 950.00 PLN**

Megapixel camera with 1/2.8" STARVIS™ CMOS sensor and HD-CVI / PAL.

The HD-CVI interface allows to transmission of analog video signal via coaxial cable in max. 8.3 Mpx (4K UHD) resolution. During transmission there are no delays and is maintained the original, high quality image.

Thanks to the "Starlight" technology used, the camera only needs very low lighting to obtain a clear color image.

Camera is according to IP66 Index of Protection norm.



## SPECIFICATION

Standard:	HD-CVI
Sensor:	1/2.8 " STARVIS™ CMOS
Matrix size:	2.1 Mpx
Resolution:	1920 x 1080 - 1080p 1280 x 720 - 720p
Range of IR illumination:	150 m
Lens:	4.8 ... 120 mm
View angle:	• 61 ° ... 2.8 ° (manufacturer data) • 57 ° ... 3.1 ° (our tests result)
Optical zoom:	x 25
Digital zoom:	x 16
Rotation speed depending on ZOOM level:	✓
Auto IR illuminator:	Adaptive adjusting of the IR illuminator power to the lens zoom and outdoor light conditions
Horizontal rotation range:	360 ° continuous
Vertical rotation range:	-15 ° ... 90 °
Rotation speed (manual control):	• 0.1 °/s ... 300 °/s (horizontal), • 0.1 °/s ... 200 °/s (vertical)

DELTA-OPTI Monika Matysiak; <https://www.delta.poznan.pl>  
POL; 60-713 Poznań; Graniczna 10  
e-mail: [delta-opti@delta.poznan.pl](mailto:delta-opti@delta.poznan.pl); tel: +(48) 61 864 69 60

Preset rotation speed:	<ul style="list-style-type: none"> <li>• 400 °/s (horizontal)</li> <li>• 300 °/s (vertical)</li> </ul>
PTZ control:	Via interface RS-485 The ability to control via coaxial cable from recorder
Protocols:	Pelco-D, Pelco-P, DH-SD (auto detection)
Video output:	HD-CVI / CVBS : 1 Vpp 75 Ω
Audio:	External microphone input
Number of presets:	300
Route settings:	8
Horizontal scan:	✓
Park action:	Call the set function (tour, scan, etc.) after specified dwell time
Alarm inputs / outputs:	2 / 1
Main features:	<ul style="list-style-type: none"> <li>• WDR - 120 dB - Wide Dynamic Range</li> <li>• 2D-DNR, 3D-DNR - Digital Noise Reduction</li> <li>• F-DNR (Defog) - Reduction of image noise caused by precipitation</li> <li>• BLC/HLC - Back Light / High Light Compensation</li> <li>• Day/night mode</li> <li>• ICR - Movable InfraRed filter</li> <li>• Auto White Balance</li> <li>• AGC - Automatic Gain Control</li> <li>• 24 Configurable Privacy Zones</li> </ul>
OSD menu:	✓
Power supply:	24 V DC / 3 A (power adapter not included)
Power consumption:	≤ 22 W
Housing:	Speed Dome, Metal + Plastic
Color:	White + Black
"Index of Protection":	IP66
Vandal-proof:	—
Operation temp:	-40 °C ... 70 °C
Weight:	4.3 kg (with bracket)
Dimensions:	297 x 475 x 186 mm (with bracket)
Supported languages:	English
Manufacturer / Brand:	DAHUA
Guarantee:	<b>3 years</b>

## PRESENTATION

Bottom view:



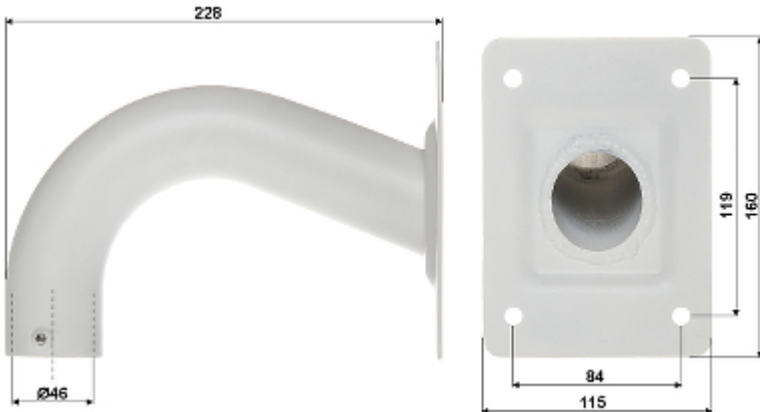
DELTA-OPTI Monika Matysiak; <https://www.delta.poznan.pl>  
POL; 60-713 Poznań; Graniczna 10  
e-mail: delta-opti@delta.poznan.pl; tel: +(48) 61 864 69 60



Configuration switches:



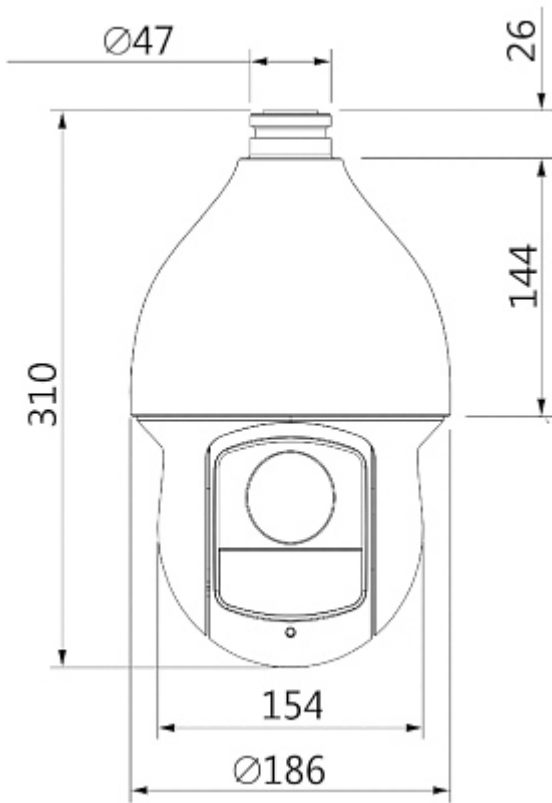
Bracket dimensions:



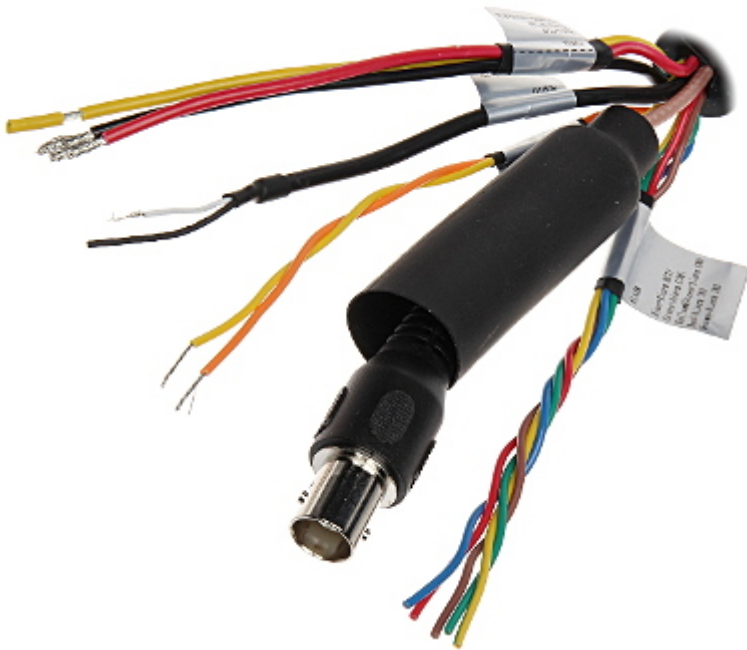
Camera dimensions:



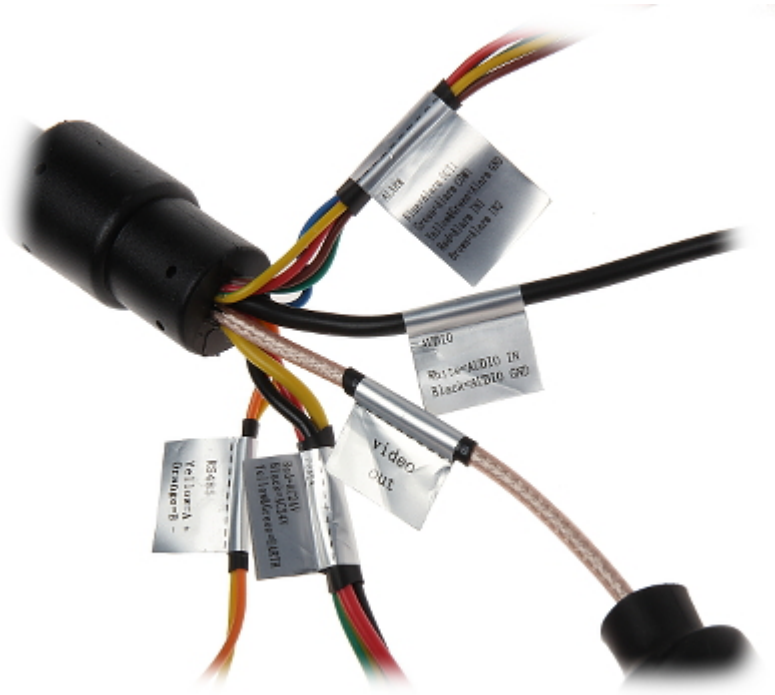
DELTA-OPTI Monika Matysiak; <https://www.delta.poznan.pl>  
POL; 60-713 Poznań; Graniczna 10  
e-mail: delta-opti@delta.poznan.pl; tel: +(48) 61 864 69 60



Camera connectors:



Connectors description:



In the kit:



## OUR TESTS

HD-CVI:

Camera image at artificial illumination (about 30Lux):

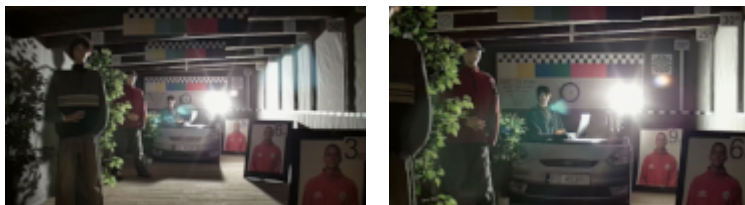


Camera image at night conditions with external IR illuminator on:



Camera image at direct strong light opposite to camera:

DELTA-OPTI Monika Matysiak; <https://www.delta.poznan.pl>  
 POL; 60-713 Poznań; Graniczna 10  
 e-mail: delta-opti@delta.poznan.pl; tel: +(48) 61 864 69 60



## PACKAGE

Dimensions (L x W x H): 0x0x0 mm	Gross Weight: 0 kg
----------------------------------	--------------------

