

Code: DS-2CE56D8T-VPIT(3.6mm)

# HD-TVI VANDALPROOF CAMERA DS-2CE56D8T-VPIT(3.6mm) - 1080p

Hikvision

Net: 303.00 PLN Gross: 303.00 PLN

Megapixel camera with Progressive Scan CMOS sensor and HD-TVI (High Definition Transport Video Interface).

The HD-TVI interface allows to transmission of analog video signal via coaxial cable at resolutions up to 1080p. It enables the transmission of HD resolution images for even 500 m distance with keeping the low costs of the installation. During transmission there are no delays and is maintained the original, high quality image.

In the case of video transmission using a twisted pair cable and matching transformers (balun), be aware of the possibility of signal reflections and interfering signals.

Housing construction allows to mount the camera to the ceiling and the wall (image is right oriented in both cases).



## SPECIFICATION

Standard:	HD-TVI
Sensor:	Progressive Scan CMOS
Matrix size:	2.1 Mpx
Resolution:	1920 x 1080 - 1080p
Range of IR illumination:	20 m
IR illuminator power adjustment:	Automatic
Lens:	3.6 mm
View angle:	<ul style="list-style-type: none"><li>• 83 ° (manufacturer data)</li><li>• 77 ° (our tests result)</li></ul>
Video output:	1 Vpp / 75 Ω - HD-TVI, BNC socket
Main features:	<ul style="list-style-type: none"><li>• WDR - 120 dB - Wide Dynamic Range</li><li>• 3D-DNR - Digital Noise Reduction</li><li>• EXIR - high-efficiency infrared LEDs technology, which evenly covers the whole plan of both central vantage points of the scene as well as the corners</li><li>• Sense-UP - (Slow Shutter) - Increase the sensor sensitivity</li><li>• Privacy zones - max. 4</li><li>• Motion Detection - max. 4 zones</li><li>• ICR - Movable InfraRed filter</li><li>• Mirror - Mirror image</li><li>• BLC - Back Light Compensation</li><li>• Auto White Balance</li><li>• Sharpness - sharper image outlines</li></ul>
OSD menu:	OSD menu available via Hikvision HD-TVI recorder
Power supply:	12 V DC / 290 mA

DELTA-OPTI Monika Matysiak; <https://www.delta.poznan.pl>  
POL; 60-713 Poznań; Graniczna 10  
e-mail: [delta-opti@delta.poznan.pl](mailto:delta-opti@delta.poznan.pl); tel: +(48) 61 864 69 60

Power consumption:	≤ 3.5 W
Housing:	Dome - Metal / Metal
Color:	White
"Index of Protection":	IP67
Vandal-proof:	IK07
Operation temp:	-40 °C ... 60 °C
Weight:	0.51 kg
Dimensions:	Ø 111 x 82 mm
Supported languages:	English
Country of origin:	China
Manufacturer / Brand:	Hikvision
SAP Code:	300609601
Guarantee:	<b>3 years</b>

## PRESENTATION

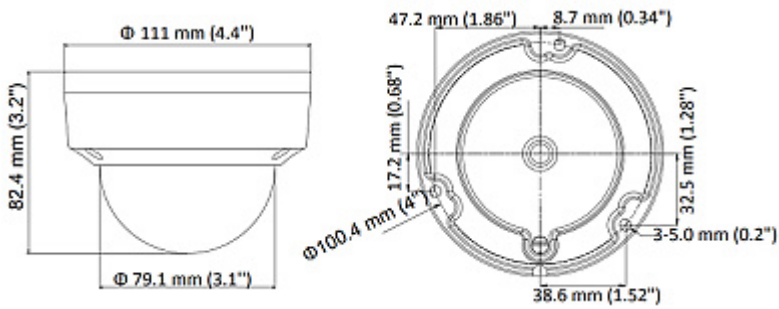
Camera view after remove the Dome cover:



Mounting side view:



Camera dimensions:



In the kit:



## OUR TESTS

Camera image at artificial illumination (about 30Lux):



Camera image at night conditions with internal built-in IR illuminator on:



Camera image at direct strong light opposite to camera:



## PACKAGE

Dimensions (L x W x H): 0x0x0 mm	Gross Weight: 0 kg
----------------------------------	--------------------