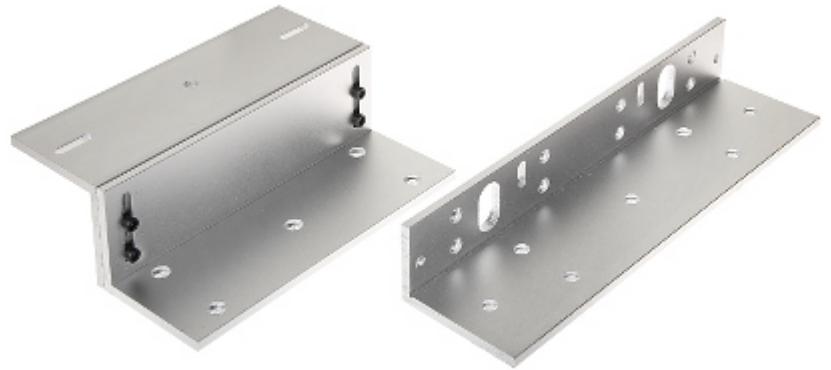


Code: BZE-500

Z-BRACKET AND L-BRACKET **BZE-500**

Net: **22.65 EUR** Gross: **27.86 EUR**

Z-bracket and L-bracket set for the ZE-500 electromagnetic lock with load capacity of 500 kg.



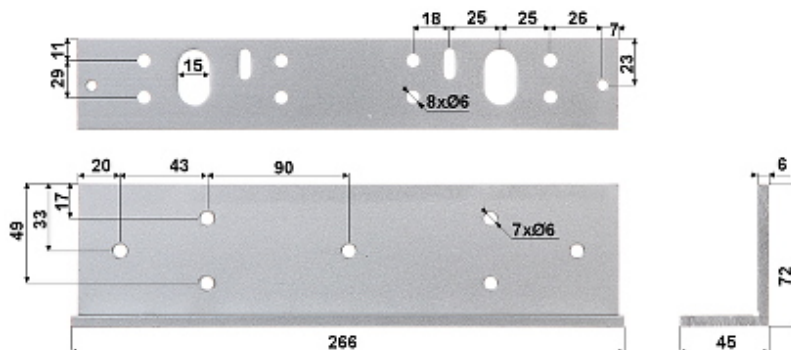
SPECIFICATION

Application:	ZE-500
Material:	Aluminum
Weight:	1.13 kg (total)
Dimensions:	185 x 140 x 61 / 75 mm - Z-bracket 266 x 72 x 45 mm - L-bracket
Guarantee:	2 years

PRESENTATION

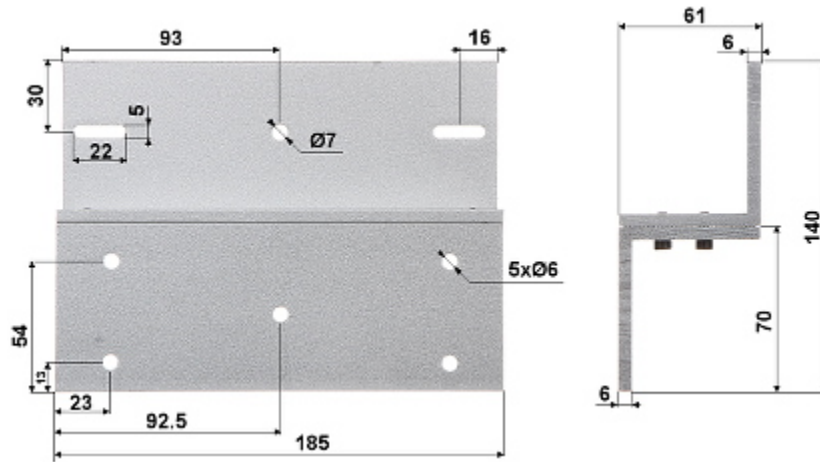


L-bracket:

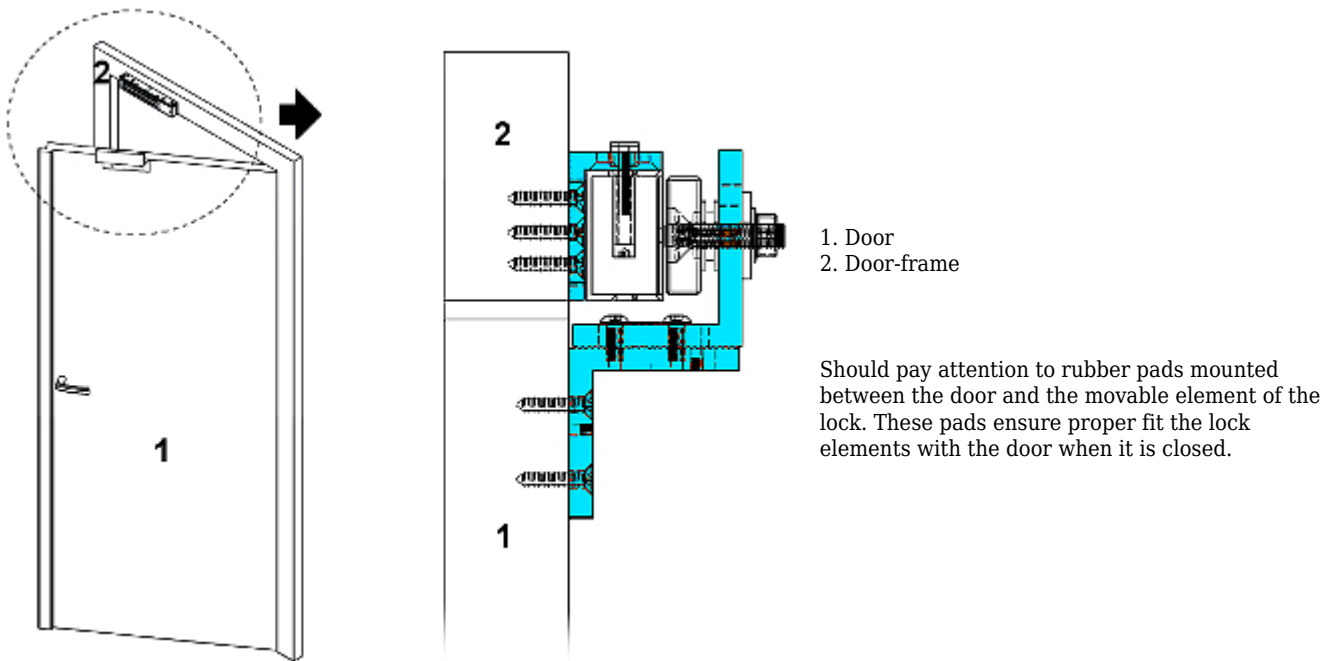


DELTA-OPTI Monika Matysiak; <https://www.delta.poznan.pl>
POL; 60-713 Poznań; Graniczna 10
e-mail: delta-opti@delta.poznan.pl; tel: +(48) 61 864 69 60

Z-bracket:



Typical operation diagram:



In the kit:

