

Code: ZE-500

ELECTROMAGNETIC LOCK ZE-500

Net: 57.62 EUR Gross: 70.87 EUR

Electromagnetic lock, surface, single. With a simple design and modern manufacturing technology, is a reliable device to lock doors and gates. Force an entry closed by lock requires the use of force of > 500 kg. It operates reversibly - it is open when power is off. The lock is composed of two elements: electromagnet (usually mounted in the frame) and lock plate (usually mounted in the door). Error free operation of the lock is a result of lack the mechanical elements, which after some time become damaged.

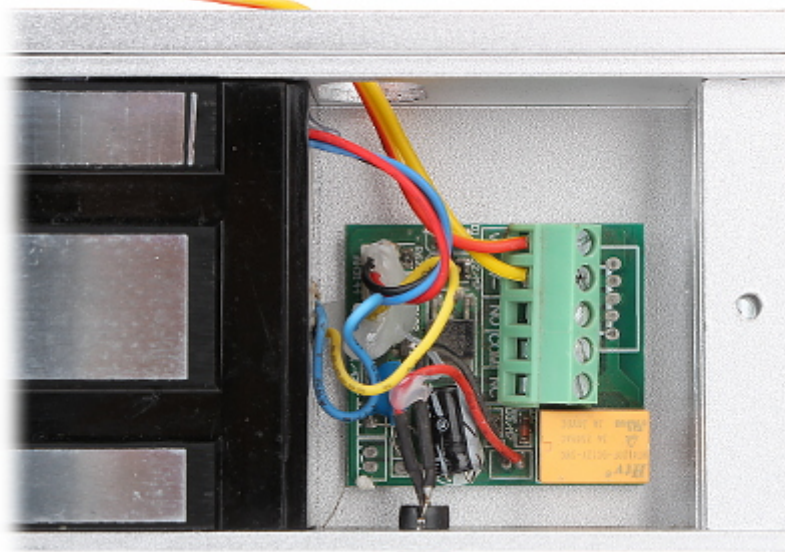


SPECIFICATION

Load capacity:	500 kg
Rated voltage:	12 V DC / 24 V DC
Current consumption:	530 mA
Main features:	<ul style="list-style-type: none">• LED indication,• The NO/NC output indicating opening the door
Weight:	3.9 kg (total)
Dimensions:	266 x 73 x 55 mm (total)
Guarantee:	2 years

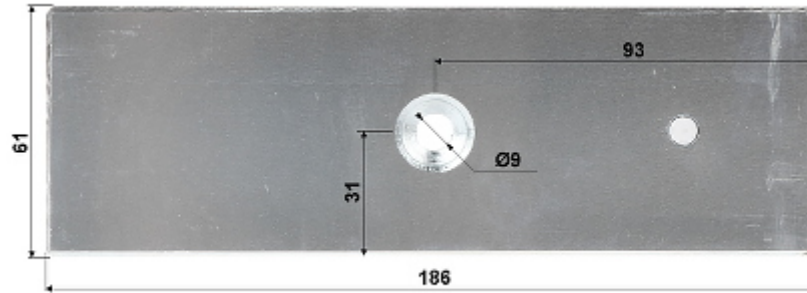
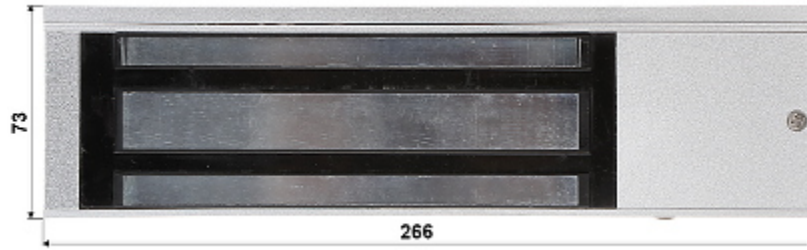
PRESENTATION

Connectors:

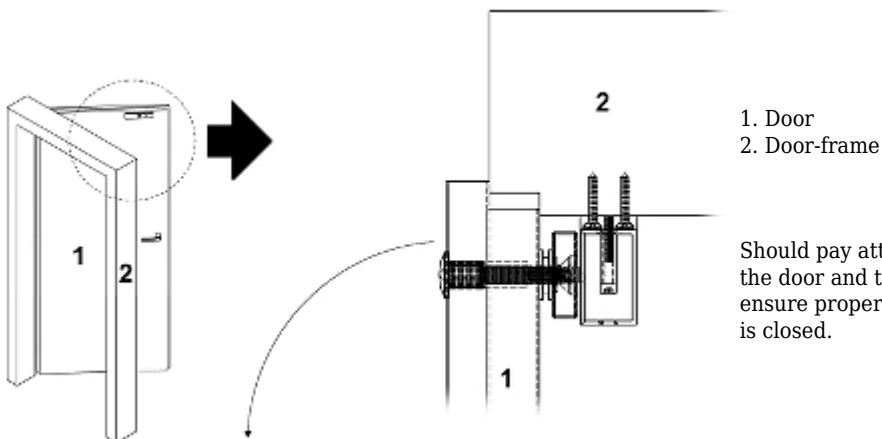


DELTA-OPTI Monika Matysiak; <https://www.delta.poznan.pl>
POL; 60-713 Poznań; Graniczna 10
e-mail: delta-opti@delta.poznan.pl; tel: +(48) 61 864 69 60

Dimensions:



Typical operation diagram:



Should pay attention to rubber pads mounted between the door and the movable element of the lock. These pads ensure proper fit the lock elements with the door when it is closed.



In the kit:

