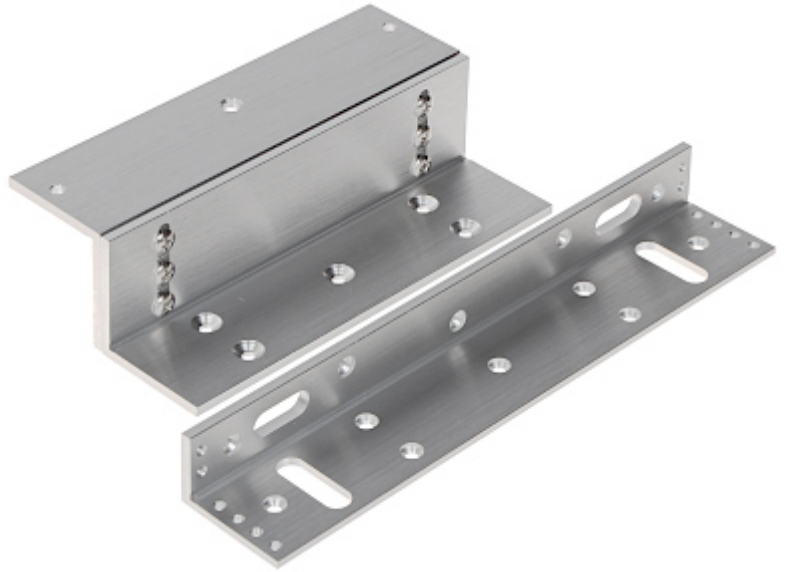


Code: ASF280ZL

## Z-BRACKET AND L-BRACKET ASF280ZL DAHUA

Net: 40.27 EUR Gross: 40.27 EUR



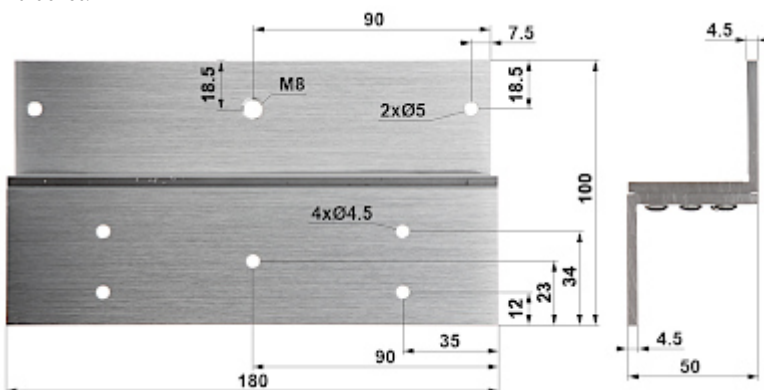
Z-bracket and L-bracket set for the ASF280A / ASF280B electromagnetic lock with load capacity of 280 kg.

### SPECIFICATION

Material:	Aluminum
Application:	ASF280A, ASF280B
Weight:	0.58 kg (total)
Dimensions:	250 x 48 x 28 mm - L-bracket 180 x 100 x 50 mm - Z-bracket
Manufacturer / Brand:	DAHUA
Guarantee:	3 years

### PRESENTATION

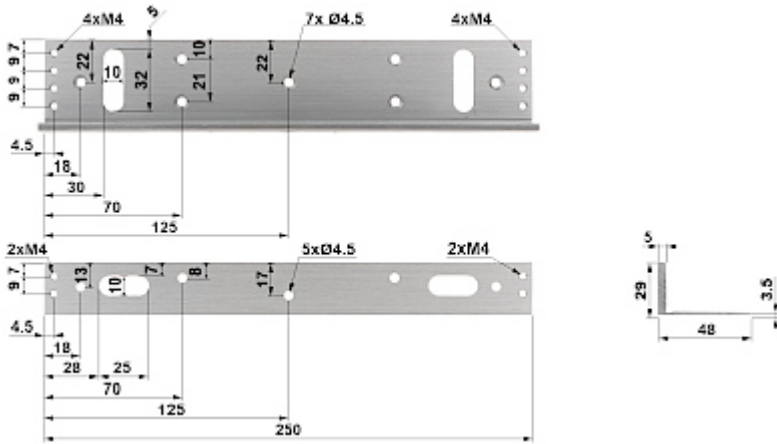
Z-bracket:



L-bracket:



DELTA-OPTI Monika Matysiak; <https://www.delta.poznan.pl>  
POL; 60-713 Poznań; Graniczna 10  
e-mail: delta-opti@delta.poznan.pl; tel: +(48) 61 864 69 60



In the kit:



**PACKAGE**

Dimensions (L x W x H): 0x0x0 mm	Gross Weight: 0 kg
----------------------------------	--------------------

