

Code: BZE-183-2

Z-BRACKET AND L-BRACKET **BZE-183-2**

Net: 53.73 PLN Gross: 66.09 PLN



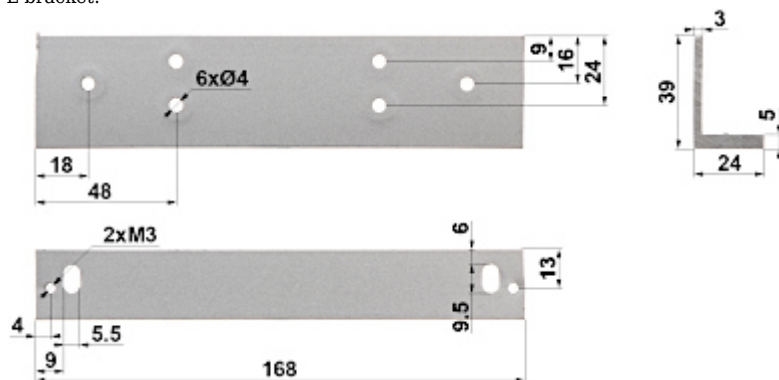
Z-bracket and L-bracket set for the ZE-180-2 electromagnetic lock with load capacity of 180 kg.

SPECIFICATION

Application:	ZE-180-2
Material:	Aluminum
Weight:	0.27 kg (total)
Dimensions:	130 x 75 x 37.5 mm - Z-bracket 168 x 39 x 24 mm - L-bracket
Guarantee:	2 years

PRESENTATION

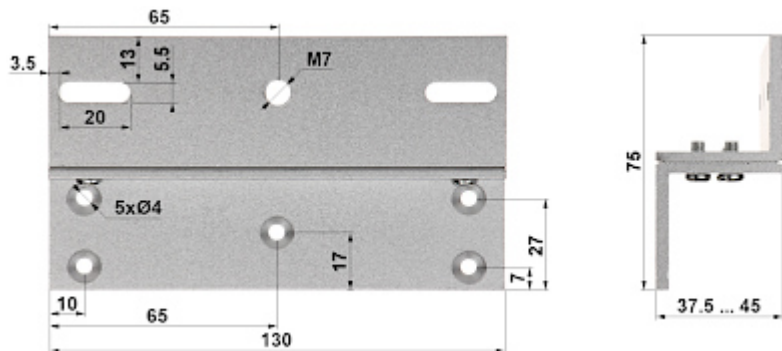
L-bracket:



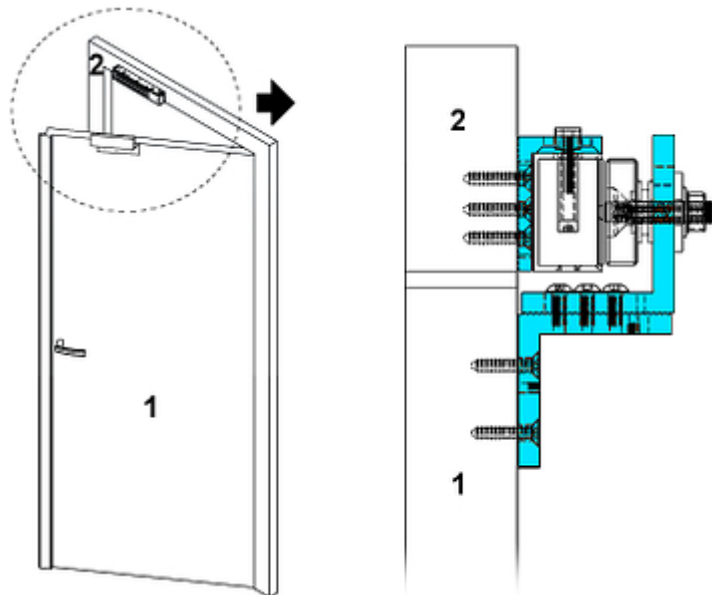
Z-bracket:



DELTA-OPTI Monika Matysiak; <https://www.delta.poznan.pl>
POL; 60-713 Poznań; Graniczna 10
e-mail: delta-opti@delta.poznan.pl; tel: +(48) 61 864 69 60



Typical operation diagram:



- 1. Door
- 2. Door-frame

Should pay attention to rubber pads mounted between the door and the movable element of the lock. These pads ensure proper fit the lock elements with the door when it is closed.
In the kit:



PACKAGE

Dimensions (L x W x H): 0x0x0 mm	Gross Weight: 0 kg
----------------------------------	--------------------



DELTA-OPTI Monika Matysiak; <https://www.delta.poznan.pl>
POL; 60-713 Poznań; Graniczna 10
e-mail: delta-opti@delta.poznan.pl; tel: +(48) 61 864 69 60